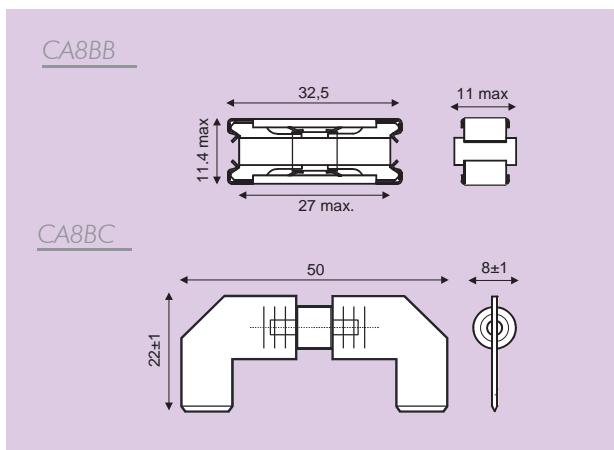


# 2-electrode Gas discharge tube

## CA8B



### Dimensions (in mm)



### Characteristics

CITEL part number	CA8B*230	CA8B*250	CA8BB350	CA8BB-540
DC sparkover voltage (100V/s)	230 V	250 V	350 V	540 V
Tolerance	+/-20%	+/-12%	+/-20%	+/-20%
Impulse sparkover voltage (1kV/μs)	< 750 V	< 750 V	< 900 V	< 1000 V
Arc voltage	< 20 V	< 20 V	< 20 V	< 20 V
Insulation resistance (at 100Vdc)	> 1 GΩ	> 1 GΩ	> 1 GΩ	> 1 GΩ
Capacitance (at 1 MHz)	< 5 pF	< 5 pF	< 5 pF	> 5 pF
Holdover voltage (R = 330 Ω in serie RC = 150 Ω/100nF in //)	> 72 V	> 72 V	> 72 V	> 72 V
AC discharge current (50 Hz, 0.6s, 10 times)	20 A	20 A	20 A	10 A
Nominal discharge current (8/20μs, 10 times)	10 kA	10 kA	10 kA	10 kA
Options	Sliding version : CA8BB Blade termination : CA8BC 3-electrode with lead termination : CA8T31			

F00825A - Document could be modified without notice