

DIN rail Surge Protector for dataline/telecom

DLU, DLU2



DLU and DLU2 surge protectors are designed to protect, against surge voltages due to lightning, terminals equipment connected to industrial buses, telecom lines or datalines.

These surge protectors must be installed on symmetrical DIN rail and are available for most of the transmission lines : line voltage from 6 to 170 V, bitrate up to 10 Mbit/s.

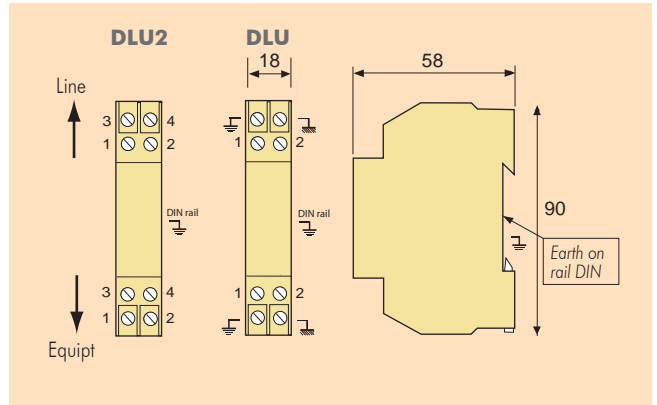
Electrical diagrams of DLU models are built with gas tubes and fast clamping diodes in order to provide high discharge current capability and fast operation.

The 2 versions are available:

1-pair (DLU) or 2-pair (DLU2) protection. These units are made with DIN rail monobloc enclosure. Transmission and protection of the shield wire by gas tube (DLU). Direct earthing through DIN rail.

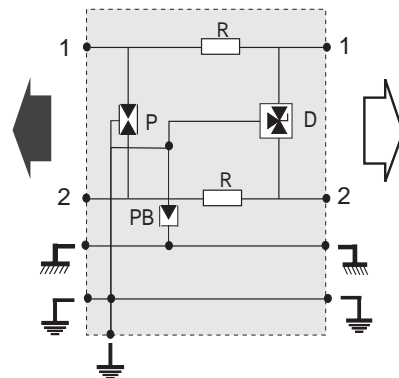
- For «DIN» rail mounting
- All types of Telephone and Data lines
- Monobloc housing
- 2-pair version (DLU2)
- Transmission and protection of shield wire (DLU)
- IEC 61643-21 compliance

Dimensions (in mm)

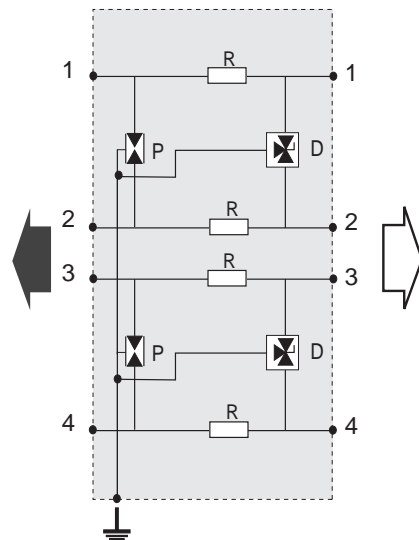


Electrical diagrams

DLU
1-pair version



DLU2
2-pair version



P : 3-electrode gas tube
Pb : 2-electrode gas tube
R : Resistor
D : Clamping diode



DIN rail surge protector for dataline/telecom

DLU, DLU2

Characteristics



1-pair version : DLU

CITEL part number	DLU-170	DLU-48D3	DLU-48DBC	DLU-24D3	DLU-12D3	DLU-12DBC	DLU-06D3	DLU-06DBC
Typical Application	Telephone line ADSL	48 V line	Fipway WorldFIP Fieldbus-H2	4-20 mA 24 V line	Profibus-FMS Interbus Fieldbus-H1 Batibus	Profibus-DP LONwork	RS485	6 V line high bitrate
Configuration	1 pair + shield	1 pair + shield	1 pair + shield	1 pair + shield	1 pair + shield	1 pair + shield	1 pair + shield	1 pair + shield
Nominal line voltage (Un)	150 V	48 V	48 V	24 V	12 V	12 V	6 V	6 V
Max. line voltage (Uc)	170 V	53 V	53 V	28 V	15 V	15 V	10 V	10 V
Max. line current	300 mA	300 mA	300 mA	300 mA	300 mA	300 mA	300 mA	300 mA
Protection level (Up) 8/20µs impulse - 5 kA	220 V	70 V	75 V	40 V	30 V	35 V	20 V	25 V
Nominal discharge current (In) 8/20µs impulse - 10 times	5 kA	5 kA	5 kA	5 kA	5 kA	5 kA	5 kA	5 kA
Max. discharge current (Imax) 8/20µs impulse - 1 time	20 kA	20 kA	20 kA	20 kA	20 kA	20 kA	20 kA	20 kA
Impulse current (Iimp) 10/350µs impulse - 2 times	5 kA	5 kA	5 kA	5 kA	5 kA	5 kA	5 kA	5 kA
Type of diagram	D	D	D	D	D	D	C	C
End of life	Short-circuit	Short-circuit	Short-circuit	Short-circuit	Short-circuit	Short-circuit	Short-circuit	Short-circuit
Mechanical characteristics	Modular shape Symmetrical DIN rail mounting Dimensions : see drawing Connection by screw - max. cross section 1.5 mm ² Housing material : Thermoplastic UL94-V0 Earth connection via DIN rail (DLU, DLU2) and screw terminal (DLU).							

2-pair version : DLU2

CITEL part number	DLU2-170	DLU2-48D3	DLU2-24D3	DLU2-12D3	DLU2-06D3	DLU2-06DBC
Typical Application	Telephone line ADSL	48 V line		RS232	RS422	T2 - T1 10BaseT
Configuration	2 pairs	2 pairs		4 wires	2 pairs	2 pairs
Nominal line voltage (Un)	150 V	48 V		12 V	6 V	6 V
Max. line voltage (Uc)	170 V	53 V		15 V	10 V	10 V
Max. line current	300 mA	300 mA		300 mA	300 mA	300 mA
Protection level (Up) 8/20µs impulse - 5 kA	220 V	70 V		30 V	20 V	25 V
Nominal discharge current (In) 8/20µs impulse - 10 times	5 kA	5 kA		5 kA	5 kA	5 kA
Max. discharge current (Imax) 8/20µs impulse - 1 time	20 kA	20 kA		20 kA	20 kA	20 kA
Impulse current (Iimp) 10/350µs impulse - 2 times	5 kA	5 kA		5 kA	5 kA	5 kA
Type of diagram	D	C		C	C	C
End of life	Short-circuit	Short-circuit		Short-circuit	Short-circuit	Short-circuit
Mechanical characteristics	Modular shape Symmetrical DIN rail mounting Dimensions : see drawing Connection by screw - max. cross section 1.5 mm ² Housing material : Thermoplastic UL94-V0 Earth connection via DIN rail (DLU, DLU2) and screw terminal (DLU).					