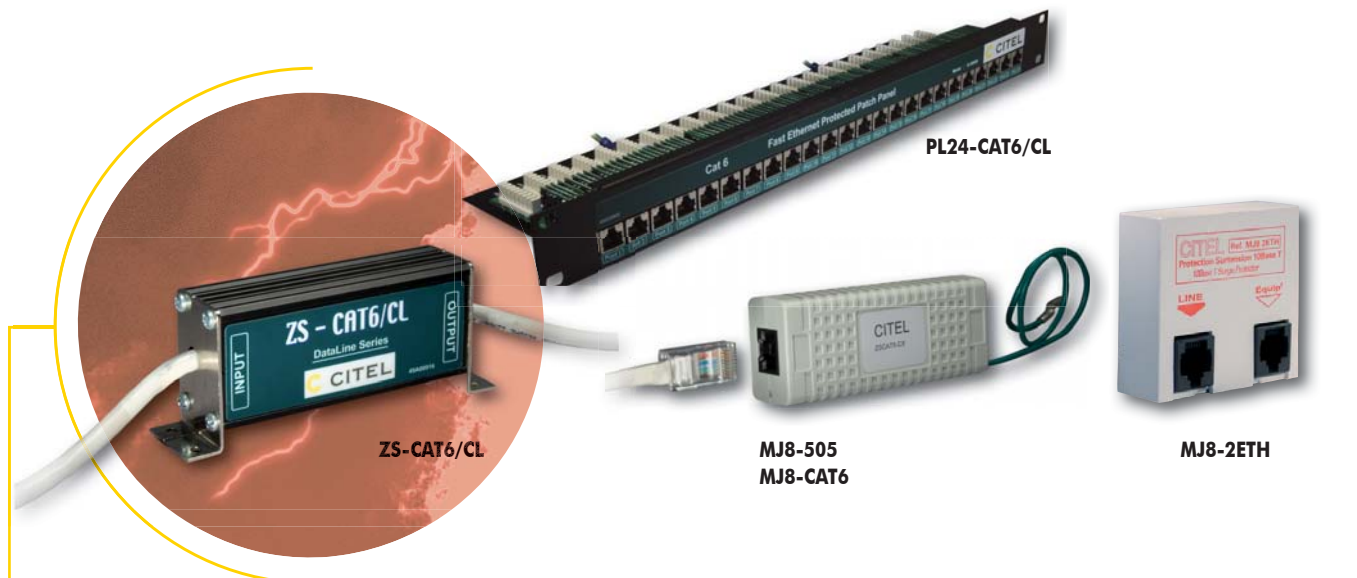


# 10BaseT/100BaseT/1000BaseT surge protectors

## MJ8-2ETH, MJ8-CAT6, ZS-CAT6/CL, PL-CAT6/CL, MJ8-505



This range of surge protectors is designed to protect data processing equipment, connected to twisted pair Ethernet 10 to 1000 Mbit/s network (10BaseT or 100BaseT), against lightning or switching surges.

Electrical diagrams used are based on miniature GDT and clamping diode network in order to provide a maximum efficiency and a minimum low losses.

These surge protectors are equipped with standard RJ45 connector for easy installation.

Several versions are available :

**MJ8-2ETH** : Basic version to protect one terminal connected to an unshielded 10BaseT network (UTP). Featured with in/out RJ45 connectors. Fast wall or frame mounting by self-gripping fasteners.

**MJ8-CAT6** : surge protector dedicated to protect terminals on 100/1000BaseT UTP networks. Compliance with «Cat5/6» standard. All of the 8 wires are protected. Featured with in/out RJ45 connectors. Easy mounting directly on cable.

**ZS-CAT6/CL** : Version designed to protect one terminal connected to a 1000BaseT «Category 6» network. Shielded enclosure equipped with in/out RJ45 connectors. All the 8 wires are protected. These surge protectors for remote terminals are used in association with a multiline rack surge protection (PL24-CAT5/CL), centralized protection at the hub level.

**PL24-CAT6/CL** : This 19" panel is designed for the surge protection of multi-line inputs of a Category 6 - 1000BaseT STP network at the hub level. The maximum capacity is 24 channels with the PL12-CAT5/CL panel (12 channels with the PL12-CAT6/CL panel). The 19" format, 1HE high (44 mm), allows installation in all standard cabinets. The product uses shielded RJ45 connectors. The circuit diagram and construction allow a bit rate of 1000 Mbps and ensure Category 5 conformity. All 8 wires of each RJ45 connector are protected

**MJ8-505** : Designed for «PoE» network (Power over Ethernet , IEEE802-3af std), this surge protector is useful for the HotPoints used in WiFi networks or for the IPBX terminals . Protection of the 100BaseT transmission and up to 60 Vdc power supply. Equipped with in/out unshielded RJ45 connectors.

### Characteristics

CITEL part number	MJ8-2ETH	MJ8-CAT6	ZS-CAT6/CL *	PL12-CAT6/CL *	PL24-CAT6/CL *	MJ8-505-24D3A60-12***
Protection	1 line	1 line	1 line	12 lines max	24 lines max.	1 line
Application	Ethernet 10baseT - UTP	Ethernet 100/1000baseT - UTP	Ethernet 1000baseT STP	Ethernet 1000BaseT STP	Ethernet 1000BaseT STP	PoE (Power over Ethernet)
Maximum data rate	10 MHz	250 MHz	250 MHz	250 MHz	250 MHz	100 MHz
EN50173 standard compliance	Category 3	Category 6	Category 6 *	Category 6 *	Category 6 *	Category 5
Connections						
- input	RJ45	RJ45	RJ45 shielded	IDC connector	RJ45 shielded	RJ45 shielded
- protected input	RJ45	RJ45	RJ45 shielded	RJ45 shielded	RJ45 shielded	RJ45 shielded
Wiring	2 pairs (1-2/3-6)	4 pairs (1-2/3-6/7-8/4-5)	4 pairs + shielded (1-2/3-6/7-8/4-5)	4 pairs + shielded (1-2/3-6/7-8/4-5)	4 pairs + shielded (1-2/3-6/7-8/4-5)	2 pairs Ethernet (1-2/3-6) + 1 DC supply 60 Vdc** (7-8 or 4-5)
Protection diagram	C	L	M	N	N	L
Nominal discharge currents :						
- Line/Line	2500 A	300 A	300 A	300 A	300 A	300 A
- Line/Ground	2500 A	300 A	10000 A	2500 A	2500 A	300 A
Mounting	on cable/wall	on cable	wall	on rack 19"	on rack 19"	on cable

\*) available in «Category 5» version : ZS-CAT5/CL, PL12-CAT5/CL, PL24-CAT5/CL

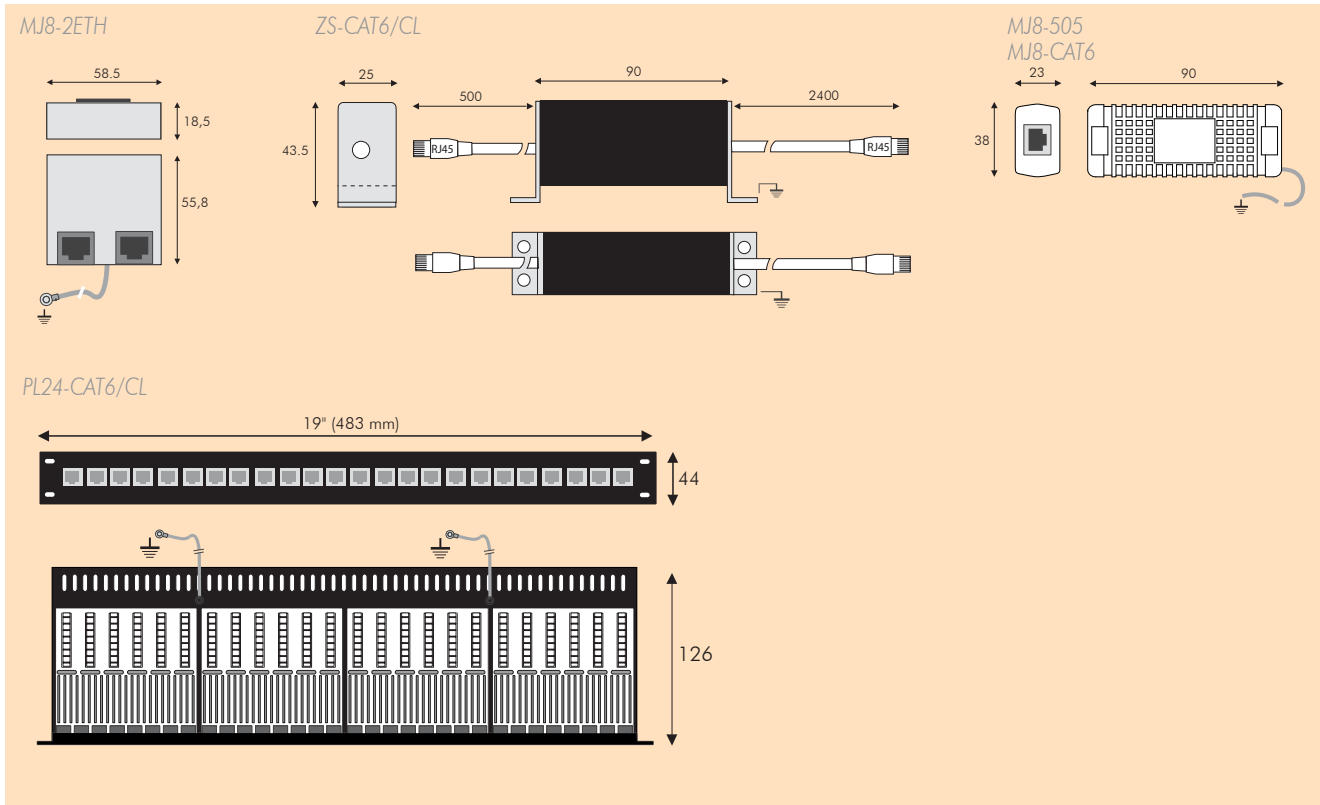
\*\*) others power supply voltages on request.

\*\*) Outdoor versions on request

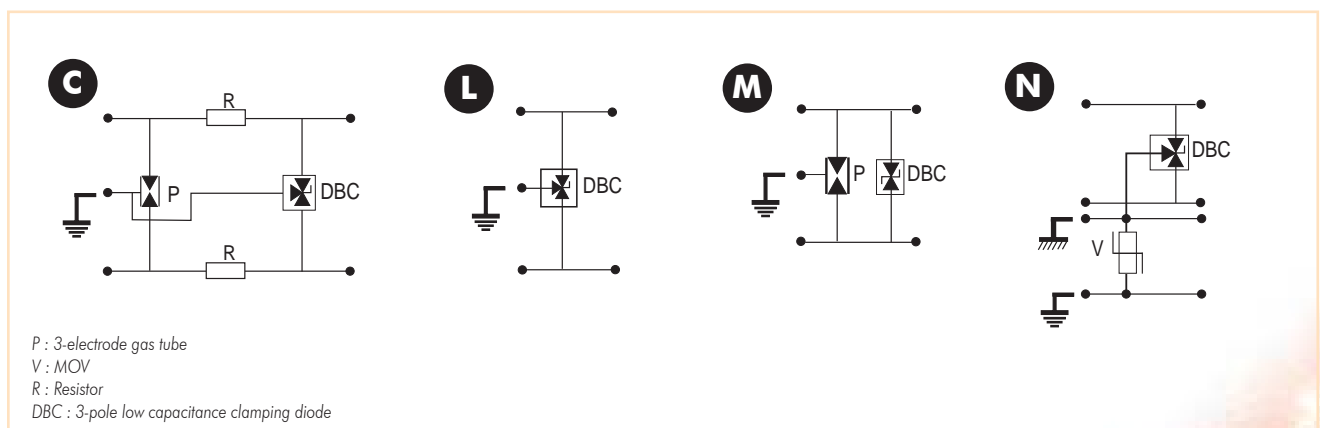
# 10BaseT/100BaseT/1000BaseT surge protectors

## MJ8-2ETH, MJ8-CAT6, ZS-CAT6/CL, PL-CAT6/CL, MJ8-505

### Dimensions (in mm)



### Electrical diagrams (for 1 pair)



- for 10BaseT/100BaseT/1000BaseT network
- Unshielded and shielded version
- Category 5 and 6 versions
- «PoE» version (indoor and outdoor)
- Multiline version for Rack 19"