

Telecom Surge Protectors

MJ8-2RN, B180T/MJ6, MJ6-1T



MJ8-2RN



MJ6-1T

These surge protectors are designed to protect sensitive telecom terminals (modems, fax machines, wireless telephone sets...) against lightning surges. They are equipped with standard telecom connection allowing easy and instantaneous installation.

The protection diagram combines a gas discharge tube with fast clamping diode, in order to provide maximum efficiency. These units need no special maintenance.

MJ8-2RN

Designed for ISDN terminal, the MJ8-2RN surge protector features in/out RJ45 connectors in compliance with T0/S0 ISDN requirements. Fast wall or frame mounting by self-gripping fasteners.

B180-T/MJ6

Compatible with RJ11 connector, it protects one PSTN or ADSL line. Instantaneous installation on between existing plugs. Fast wall or frame mounting by self-gripping fasteners.

MJ6-1T and MJ4-1T

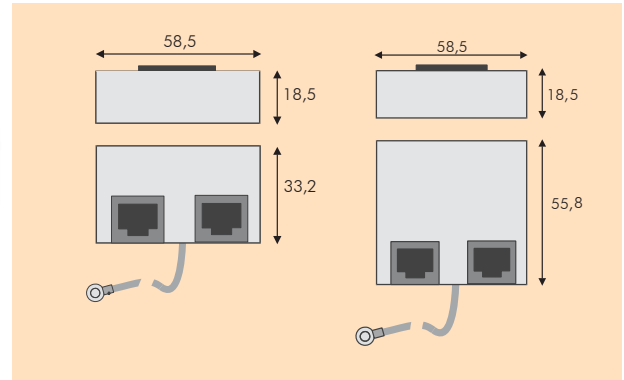
Compatible with RJ11 or RJ9 connector, it protects one PSTN or ADSL line. Connection to line by screw terminal and connection toward protected equipment on RJ11 or RJ9 connectors. Wall mounting.

- Protection for one telephone line
- for PSTN, ISDN, ADSL lines
- Instantaneous installation
- RJ11 or RJ45 connectors

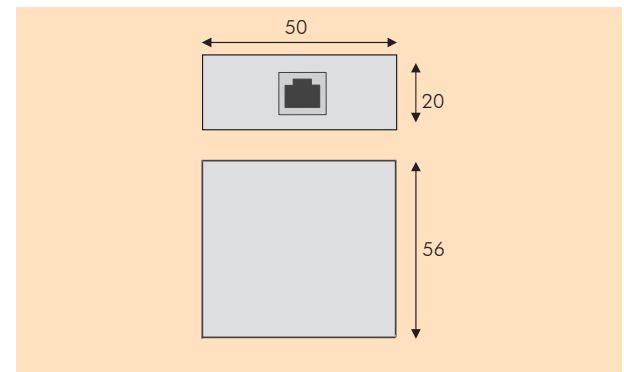
Dimensions (in mm)

B180T/MJ6

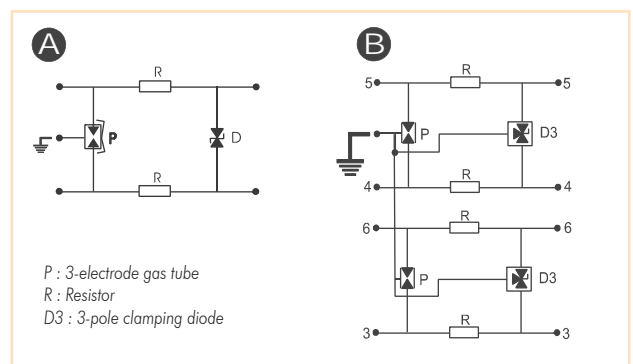
MJ8-2RN



MJ6-1T/MJ4-1T



Electrical diagrams



Characteristics

CITEL part number	MJ8-2RN	B180-T/MJ6	MJ6-1T	MJ4-1T
Type of line	RNIS T0/S0	RTC/ADSL	RTC/ADSL	RTC/ADSL
Max. line voltage (Uc)	48 V	170 V	170 V	170 V
Residual voltage (Up)	70 V	210 V	210 V	210 V
Nominal discharge current (In)	2.5 kA	2.5 kA	5 kA	5 kA
I/O connections	RJ45/RJ45	RJ11/RJ11	RJ11/vis	RJ9/vis
Connector wiring	4-5/3-6	3-4	3-4	2-3
Mounting	on equipment frame	on equipment frame	wall	wall
Earthing	by wire	by wire	sur borne	sur borne
Type of diagram	B	A	A	A