



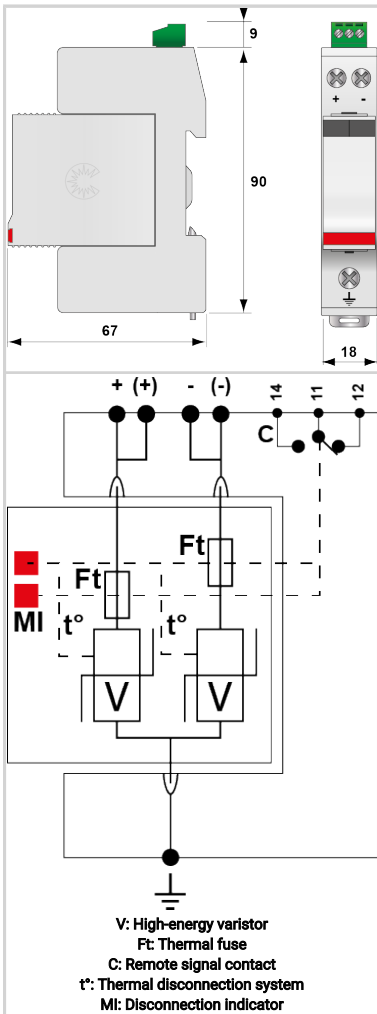
CITEL

DC power surge protector - 130 Vdc

DS240S-130DC



- › Discover our latest innovation : the [DDC40CS-20-180](#)
- › DC power surge protector
- › 130 Vdc
- › Compact design
- › I_{max}: 40 kA
- › Pluggable module
- › Remote signaling
- › Very low Up protection level



Electrical Characteristics		
SPD type	IEC	2
Network		DC or PV network 130Vdc
Nominal DC voltage	Un-dc	130 Vdc
Nominal PV voltage	Uocstc	130 Vdc
Max. AC operating voltage	Uc	150 Vac
Max. PV operating voltage	Ucpv	180 Vdc
Max. DC operating voltage	Uc	180 Vdc
Max. load current @25°C	IL	50 A
Residual Current		
Leakage current to Ground	Ipe	< 0.2 mA
PV Permanent Operating current	Icpv	< 0.1 mA
Current consumption at Ucpv		
Follow current	If	None
Nominal discharge current	In	20 kA
15 x 8/20 μs impulses		
Max. discharge current	I _{max}	40 kA
max. withstand @ 8/20 μs by pole		
Total Maximum discharge current	I _{max} Total	80 kA
max. total withstand @ 8/20 μs		
Current withstand short circuit PV	Iscpv	1000 A
Connection mode(s)		+/-/PE
Protection mode(s)		Common mode
Mechanical Characteristics		
Technology		MOV
SPD configuration		2-poles
Connection to Network		By screw terminals: 1.5-10mm ² (actives wires) and 2.5-25mm ² (ground)
Format		Plug-in modular box
Mounting		Symmetrical rail 35 mm (EN 60715)
Housing material		Thermoplastic UL94 V-0
Operating temperature	Tu	-40/+85°C
Protection rating		IP20
Failsafe mode		Disconnection from DC network
Disconnection indicator		2 mechanical indicators
Spare module(s)		DSM240-130DC
Remote signaling of disconnection		Output on changeover contact
Dimensions		See diagram
Disconnectors		
Thermal disconnector		Internal
Back-up protection device		Fuses type gG - 20A
Standards		
Standards compliance		IEC 61643-11 / EN 61643-11 / UL1449 ed.5
Certification		cRUus
Environmental standards		EU RoHS



CITEL

DC power surge protector - 130 Vdc

DS240S-130DC

Part number

310811

