



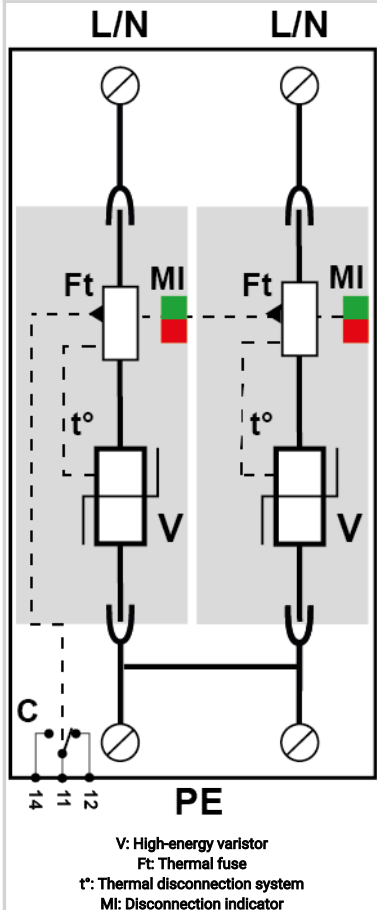
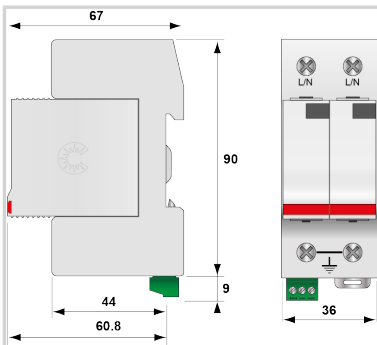
# CITEL

## Type 2 AC surge protector - Single-phase

### DS42S-280



- ▶ Discover our latest innovation : the [DAC50S-20-320](#)
- ▶ Type 2 AC Multipolar surge protector
- ▶ In: 20 kA
- ▶ I<sub>max</sub> total: 80 kA
- ▶ Pluggable module for each phase
- ▶ Remote signaling
- ▶ EN 61643-11, IEC 61643-11, UL1449 ed.5



Electrical Characteristics		
SPD type	IEC	2
Network		230/400 V
AC system		TN
Nominal line voltage	U <sub>n</sub>	230 Vac
Max. AC operating voltage	U <sub>c</sub>	280 Vac
Temporary Over Voltage (TOV) Characteristics - 5 sec. Without disconnection	UT	335 Vac withstand
Temporary Over Voltage (TOV) Characteristics - 120 mn Without disconnection or with safety disconnection	UT	440 Vac disconnection
Residual Current Leakage current to Ground	I <sub>pe</sub>	< 1 mA
Follow current	I <sub>f</sub>	None
Nominal discharge current 15 x 8/20 μs impulses	I <sub>n</sub>	20 kA
Max. discharge current max. withstand @ 8/20 μs by pole	I <sub>max</sub>	40 kA
Total Maximum discharge current max. total withstand @ 8/20 μs	I <sub>max</sub> Total	80 kA
Connection mode(s)		L/PE and N/PE
Protection mode(s)		Common mode
Protection level L/PE @ I <sub>n</sub> (8/20 μs)	Up L/PE	1.3 kV
Admissible short-circuit current	I <sub>scsr</sub>	25 000 A
Mechanical Characteristics		
Technology		MOV
SPD configuration		Single phase
Connection to Network		By screw terminals: 2.5-25mm <sup>2</sup> / by bus
Format		Plug-in modular box
Mounting		Symmetrical rail 35 mm (EN 60715)
Housing material		Thermoplastic UL94 V-0
Operating temperature	T <sub>u</sub>	-40/+85°C
Protection rating		IP20
Failsafe mode		Disconnection from AC network
Disconnection indicator		1 mechanical indicator by pole
Spare module(s)		DSM40-280
Remote signaling of disconnection		output on changeover contact
Dimensions		See diagram
Weight		0.19 kg
Disconnectors		
Thermal disconnector		Internal
Installation ground fault breaker		Type 'S' or delayed
Back-up protection device		Fuses type gG - 50 A
Standards		
Standards compliance		IEC 61643-11 / EN 61643-11 / UL1449 ed.5
Certification		cRUus
Environmental standards		EU RoHS
Part number		
<b>461121</b>		

