



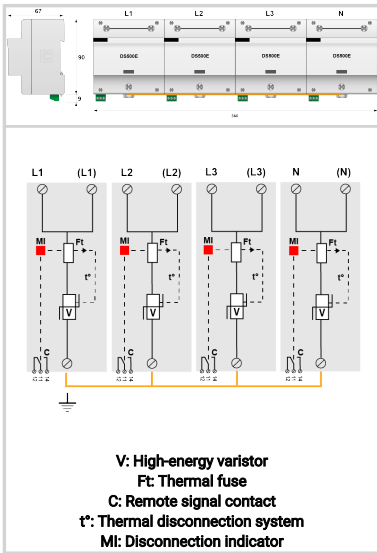
CITEL

Type 1+2 AC surge protector - 3-phase+N

DS504E-230



- Type 1 + 2 multipolar AC surge protector
- Iimp total : 200 kA (10/350µs impulse)
- Imax : 200 kA (8/20µs impulse)
- Internal disconnections, status indicator and remote signaling
- Conforme NF EN 61643-11, IEC 61643-11, UL1449 ed.5



Electrical Characteristics

SPD type	IEC	1+2
Network		230/400 V
AC system		TNS
Nominal line voltage	Un	230 Vac
Max. AC operating voltage	Uc	255 Vac
Max. load current <i>if series connection</i>	IL	100 A
Temporary Over Voltage (TOV) Characteristics - 5 sec. <i>Without disconnection</i>	UT	335 Vac withstand
Temporary Over Voltage (TOV) Characteristics - 120 mn <i>Without disconnection or with safety disconnection</i>	UT	440 Vac disconnection
Follow current	If	None
Nominal discharge current <i>15 x 8/20 µs impulses</i>	In	50 kA
Max. discharge current <i>max. withstand @ 8/20 µs by pole</i>	I _{max}	200 kA
Impulse current by pole <i>max. withstand 10/350µs by pole</i>	I _{imp}	50 kA
Total lightning current <i>max. withstand @ 10/350µs</i>	I _{total}	200 kA
Specific energy by pole <i>max. withstand 10/350 µs</i>	W/R	156 kJ/ohm
Connection mode(s)		L/PE and N/PE
Protection mode(s)		Common mode
Protection level N/PE <i>@ In (8/20µs)</i>	Up N/PE	1.8 kV
Protection level L/PE <i>@ In (8/20µs)</i>	Up L/PE	1.8 kV
Admissible short-circuit current	I _{sc}	50 000 A

Mechanical Characteristics

Technology		MOV
SPD configuration		3-phase
Connection to Network		By screw terminals: 6-35mm ² / by bus
Format		1-pole modular box assembled
Mounting		Symmetrical rail 35 mm (EN 60715)
Housing material		Thermoplastic UL94 V-0
Operating temperature	Tu	-40/+85°C
Protection rating		IP20
Failsafe mode		Disconnection from AC network
Disconnection indicator		1 mechanical indicator by pole
Remote signaling of disconnection		Output on changeover contact
Dimensions		See diagram
Weight		2.500 kg

Disconnectors

Thermal disconnector		Internal
Installation ground fault breaker		Type 'S' or delayed
Back-up protection device		Fuses Type gG - 500 A

Standards

Standards compliance		IEC 61643-11 / EN 61643-11 / UL1449 ed.5
Certification		

Part number

64021

