



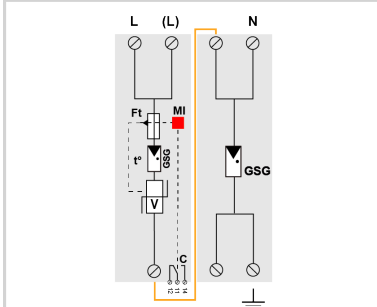
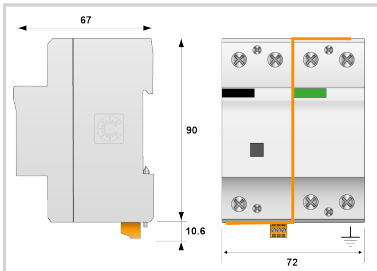
CITEL

Type 1+2+3 AC surge protector - Single phase

DS252VG-300/G



- Type 1+2+3 unipolar surge protector
- 25 kA on 10/350µs impulse
- Low voltage Up
- Internal disconnection, status indicator and remote signaling
- Optimized to TOV
- IEC 61643-11 and UL1449 ed.5 compliance



V: High-energy varistor
GSG: Specific gas tube
Ft: Thermal fuse
C: Remote signaling contact
†: Thermal disconnection system
MI: Disconnection indicator

Electrical Characteristics

SPD type	IEC	1+2+3
Network		230/400 V
AC system		TT-TN
Nominal line voltage	Un	230 Vac
Max. AC operating voltage	Uc	255 Vac
Max. load current <i>if series connection</i>	IL	100 A
Temporary Over Voltage (TOV) Characteristics - 5 sec. <i>Without disconnection</i>	UT	335 Vac withstand
Temporary Over Voltage (TOV) Characteristics - 120 mn <i>Without disconnection or with safety disconnection</i>	UT	440 Vac withstand
Temporary Over Voltage N/PE (TOV HT) <i>Without disconnection or with safety disconnection</i>	UT	1200 V/300A/200 ms withstand
Residual Current <i>Leakage current to Ground</i>	Ipe	None
Follow current	If	None
Nominal discharge current <i>15 x 8/20 µs impulses</i>	In	30 kA
Max. discharge current <i>max. withstand @ 8/20 µs by pole</i>	Imax	70 kA
Total Maximum discharge current <i>max. total withstand @ 8/20 µs</i>	Imax Total	150 kA
Impulse current by pole <i>max. withstand 10/350µs by pole</i>	Iimp	25 kA
Total lightning current <i>max. total withstand @ 10/350µs</i>	Itotal	50 kA
Withstand on Combination waveform IEC 61643-11 <i>Class III test: 1.2/50µs - 8/20µs</i>	Uoc	20 kV
Withstand on overvoltages IEEE C62.41.1		20 kV
Specific energy by pole <i>max. withstand 10/350 µs</i>	W/R	156 kJ/ohm
Connection mode(s)		L/N and N/PE
Protection mode(s)		Common/Differential mode
Residual voltage <i>@ In (8/20 µs)</i>	Up-in	1.1 kV
Protection level L/N <i>@ In (8/20µs)</i>	Up L/N	1.5 kV
Protection level N/PE <i>@ In (8/20µs)</i>	Up N/PE	1.5 kV
Admissible short-circuit current	Iscrr	50 000 A

Mechanical Characteristics

Technology		VG Technology (MOV+GSG)
SPD configuration		Single phase
Connection to Network		By screw terminals: 6-35mm ² / by bus
Format		1-pole modular box assembled
Mounting		Symmetrical rail 35 mm (EN 60715)
Housing material		Thermoplastic UL94 V-0
Operating temperature	Tu	-40/+85°C
Protection rating		IP20
Failsafe mode		Disconnection from AC network
Disconnection indicator		1 mechanical indicator by pole
Remote signaling of disconnection		Output on changeover contact
Dimensions		See diagram
Weight		0.49 kg

Disconnectors

Thermal disconnector		Internal
Installation ground fault breaker		Type 'S' or delayed
Back-up protection device		SFD1-25S-11 / or Fuses Type gG 315 A

Standards

Standards compliance		IEC 61643-11 / EN 61643-11 / UL1449 ed.5
----------------------	--	--



CITEL

Type 1+2+3 AC surge protector - Single phase

DS252VG-300/G

Part number

3403

