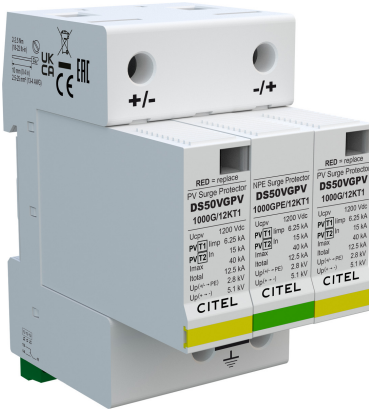




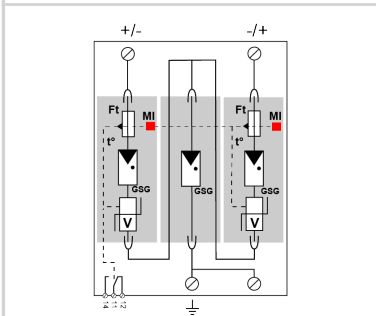
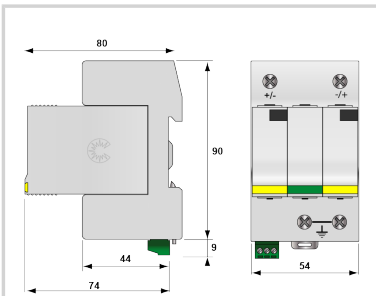
CITEL

Type 1+2 PV surge protector

DS50VGPVS-1000G/12KT1



- Type 1+2 surge protector for Photovoltaic
- VG Technology
- No leakage, no operating currents
- Improved life expectancy
- Impulse currents I_{limp}/I_{total} : 6.25/12.5 kA (10/350 μ s)
- Common/Differential mode protection
- Pluggable module
- Remote signaling
- IEC 61643-31, EN 61643-31, UL1449 ed.5 compliance



V: High-energy varistor
 GSG: Specific gas tube
 Ft: Thermal fuse
 C: Remote signaling contact
 †: Thermal disconnection system
 MI: Disconnection indicator

Electrical Characteristics

SPD type	IEC	1+2
Network		PV network 1000 Vdc
Nominal PV voltage	Uocstc	1000 Vdc
Max. PV operating voltage	Ucpv	1200 Vdc
Residual Current	Ipe	None
Leakage current to Ground		
PV Permanent Operating current	Icpv	None
Current consumption at Ucpv		
Follow current	If	None
Nominal discharge current	In	15 kA
15 x 8/20 μ s impulses		
Max. discharge current	I _{max}	40 kA
max. withstand @ 8/20 μ s by pole		
Total Maximum discharge current	I _{max} Total	60 kA
max. total withstand @ 8/20 μ s		
Impulse current by pole	I _{limp}	6.25 kA
max. withstand 10/350 μ s by pole		
Total lightning current	I _{total}	12.5 kA
max. total withstand @ 10/350 μ s		
Current withstand short circuit PV	I _{scpv}	15 000 A
Protection mode(s)		Common/Differential mode
Protection level +/-	Up	5.1 kV
@ I _n (8/20 μ s)		
Protection level +/-PE (-/PE)	Up	2.8 kV
@ I _n (8/20 μ s)		

Mechanical Characteristics

Technology		VG Technology (MOV+GSG)
Connection to Network		By screw terminals: 2.5-25mm ²
Format		Plug-in modular box
Mounting		Symmetrical rail 35 mm (EN 60715)
Housing material		Thermoplastic UL94 V-0
Operating temperature	Tu	-40/+85°C
Protection rating		IP20
Disconnection indicator		2 mechanical indicators
Spare module(s)		DSM50VGPV-1000G/12KT1 / DSM50VGPV-1000GPE/12KT1
Remote signaling of disconnection		output on changeover contact
Dimensions		See diagram
Weight		0.362 kg

Disconnectors

Thermal disconnector		Internal
Back-up protection device		Without

Standards

Standards compliance		IEC 61643-31 / EN 61643-31 / EN 50539-11 / UL1449 ed.5
----------------------	--	--

Part number

482313

