



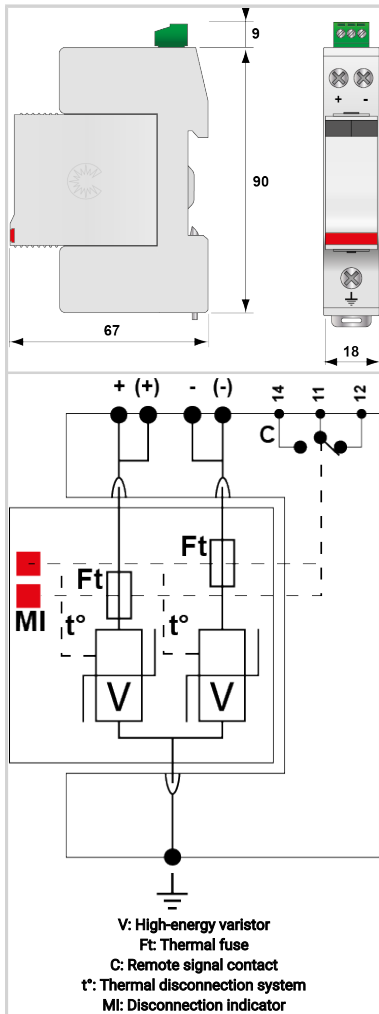
# CITEL



## DC power surge protector - 24 Vdc

### DS220S-24DC

- Discover our latest innovation : the [DDC20CS-20-38](#)
- DC power surge protector
- 24 Vdc
- Compact design
- I<sub>max</sub> : 20 kA
- Pluggable module
- Remote signaling
- Very low U<sub>p</sub> protection level



Electrical Characteristics		
SPD type	IEC	2
Network		DC or PV network 24Vdc
Nominal DC voltage	Un-dc	24 Vdc
Nominal PV voltage	Uocstc	24 Vdc
Max. PV operating voltage	Ucpv	38 Vdc
Max. PV operating voltage (star mounting)	Ucpv	38 Vdc
Max. DC operating voltage	Uc	38 Vdc
Max. load current @25°C	IL	50 A
Residual Current		
Leakage current to Ground	I <sub>pe</sub>	< 0.2 mA
PV Permanent Operating current	I <sub>cpv</sub>	< 0.1 mA
Current consumption at U <sub>cpv</sub>		
Follow current	I <sub>f</sub>	None
Nominal discharge current	I <sub>n</sub>	10 kA
15 x 8/20 μs impulses		
Max. discharge current	I <sub>max</sub>	20 kA
max. withstand @ 8/20 μs by pole		
Total Maximum discharge current	I <sub>max</sub> Total	40 kA
max. total withstand @ 8/20 μs		
Current withstand short circuit PV	I <sub>scpv</sub>	1000 A
Connection mode(s)		+/-/PE
Protection mode(s)		Common mode
Protection level +/-/PE	U <sub>p</sub>	250 V
@ I <sub>n</sub> (8/20μs)		
Mechanical Characteristics		
Technology		MOV
SPD configuration		2-poles
Connection to Network		By screw terminals: 1.5-10mm <sup>2</sup> (actives wires) and 2.5-25mm <sup>2</sup> (ground)
Format		Plug-in modular box
Mounting		Symmetrical rail 35 mm (EN 60715)
Housing material		Thermoplastic UL94 V-0
Operating temperature	T <sub>u</sub>	-40/+85°C
Protection rating		IP20
Failsafe mode		Disconnection from DC network
Disconnection indicator		2 mechanical indicators
Spare module(s)		DSM220-24DC
Remote signaling of disconnection		Output on changeover contact
Dimensions		See diagram
Disconnectors		
Thermal disconnector		Internal
Back-up protection device		Fuses type gG - 20A
Standards		
Standards compliance		IEC 61643-11 / EN 61643-11 / UL1449 ed.5
Certification		cRUus



CITEL

DC power surge protector - 24 Vdc

DS220S-24DC

Environmental standards	EU RoHS
<b>Part number</b>	
<b>390511</b>	

