



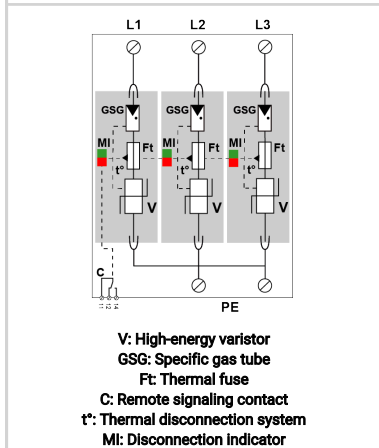
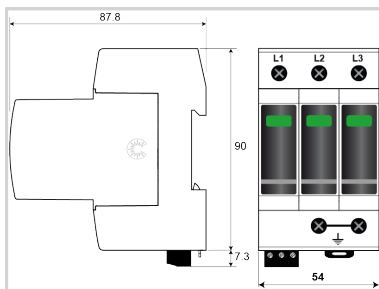
# CITEL

## Type 1+2 AC surge protector - 3-phase

### DAC1-13VGS-30-320



- ▶ Type 1 + 2 + 3 AC surge protector
- ▶ VG Technology
- ▶ In : 20 kA
- ▶ Iimp : 12,5 kA on 10/350µs impulse
- ▶ No leakage current
- ▶ Pluggable module for each phase
- ▶ Remote signaling
- ▶ Optimized to TOV
- ▶ EN 61643-11, IEC 61643-11 and UL1449 ed.5 compliance
- ▶ Certified EN 61643-11 and IEC 61643-11



#### Electrical Characteristics

| SPD type                                                                                                           | IEC                    | 1+2+3             |
|--------------------------------------------------------------------------------------------------------------------|------------------------|-------------------|
| Network                                                                                                            |                        | 230/400 V         |
| AC system                                                                                                          |                        | TNC               |
| Max. AC operating voltage                                                                                          | Uc                     | 320 Vac           |
| Temporary Over Voltage (TOV) Characteristics - 5 sec.<br><i>Without disconnection</i>                              | UT                     | 335 Vac withstand |
| Temporary Over Voltage (TOV) Characteristics - 120 mn<br><i>Without disconnection or with safety disconnection</i> | UT                     | 440 Vac withstand |
| Residual Current                                                                                                   | Ipe                    | None              |
| Leakage current to Ground                                                                                          |                        |                   |
| Follow current                                                                                                     | If                     | None              |
| Nominal discharge current<br><i>15 x 8/20 µs impulses</i>                                                          | In                     | 20 kA             |
| Max. discharge current<br><i>max. withstand @ 8/20 µs by pole</i>                                                  | I <sub>max</sub>       | 50 kA             |
| Total Maximum discharge current<br><i>max. total withstand @ 8/20 µs</i>                                           | I <sub>max</sub> Total | 150 kA            |
| Impulse current by pole<br><i>max. withstand 10/350µs by pole</i>                                                  | Iimp                   | 12.5 kA           |
| Impulse current N/PE<br><i>max. withstand 10/350µs</i>                                                             | Iimp N /PE             | 50 kA             |
| Total lightning current<br><i>max. total withstand @ 10/350µs</i>                                                  | I <sub>total</sub>     | 37.5 kA           |
| Withstand on Combination waveform IEC 61643-11<br><i>Class III test: 1.2/50µs - 8/20µs</i>                         | Uoc                    | 6 kV              |
| Specific energy by pole<br><i>max. withstand 10/350 µs</i>                                                         | W/R                    | 40 kJ/ohm         |
| Protection mode(s)                                                                                                 |                        | L/PE              |
| Protection level L/PE<br><i>@ In (8/20µs) and @ 6 kV (1,2/50 µs)</i>                                               | L/PE                   | 1.5 kV            |
| Residual voltage L/PE at 5 kA<br><i>@ 5 kA (8/20µs)</i>                                                            | Up-5kA                 | 0.9 kV            |
| Admissible short-circuit current                                                                                   | Iscrr                  | 50 000 A          |

#### Mechanical Characteristics

|                                           |    |                                                                     |
|-------------------------------------------|----|---------------------------------------------------------------------|
| Technology                                |    | VG Technology (MOV+GSG)                                             |
| SPD configuration                         |    | 3-phase                                                             |
| Connection to Network                     |    | By screw terminals: 2.5-25mm <sup>2</sup> (35mm <sup>2</sup> rigid) |
| Format                                    |    | Plug-in modular box                                                 |
| Mounting                                  |    | Symmetrical rail 35 mm (EN 60715)                                   |
| Housing material                          |    | Thermoplastic UL94 V-0                                              |
| Operating temperature                     | Tu | -40/+85°C                                                           |
| Protection rating                         |    | IP20                                                                |
| Failsafe mode                             |    | Disconnection from AC network                                       |
| Disconnection indicator                   |    | 1 mechanical indicator by pole - Red/Green                          |
| Spare module(s)                           |    | MDAC1-13VG-320                                                      |
| Remote signaling of disconnection         |    | output on changeover contact                                        |
| Wiring for remote signaling               |    | 1.5 mm <sup>2</sup> max.                                            |
| Max. Voltage/Current for remote signaling |    | 250 V / 0.5 A (AC) / 30 V / 3 A (DC)                                |
| Dimensions                                |    | See diagram - 3 TE (EN43880)                                        |

#### Disconnectors

|                                   |  |                                                                         |
|-----------------------------------|--|-------------------------------------------------------------------------|
| Thermal disconnector              |  | Internal                                                                |
| Installation ground fault breaker |  | Type 'S' or delayed                                                     |
| Back-up protection device         |  | Fuse assembly: SFD1-13S-30 / or 125 A min. - 315 A max. - Fuses Type gG |

#### Standards

|                      |  |                                          |
|----------------------|--|------------------------------------------|
| Standards compliance |  | IEC 61643-11 / EN 61643-11 / UL1449 ed.5 |
| Certification        |  | KEMA                                     |



CITEL

Type 1+2 AC surge protector - 3-phase

---

DAC1-13VGS-30-320

Part number

821730323

