



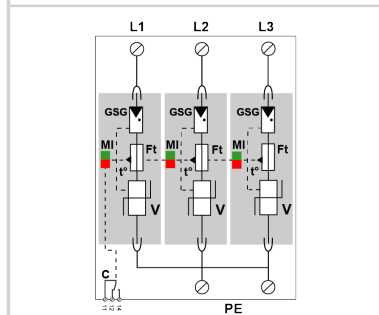
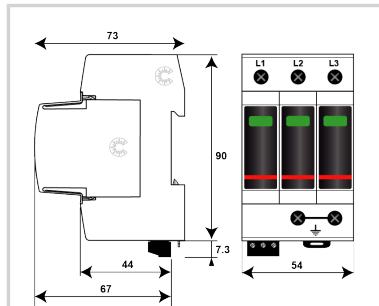
# CITEL

## Type 2 AC surge protector - 3-phase

### DAC50VGS-30-150



- Type 2 + 3 AC surge protector
- VG Technology
- In : 20 kA
- No leakage current
- Pluggable module for each phase
- Remote signaling
- Optimized to TOV
- EN 61643-11, IEC 61643-11 and UL1449 ed.5 compliance



**V:** High-energy varistor  
**GSG:** Specific gas tube  
**Ft:** Thermal fuse  
**C:** Remote signaling contact  
**t\*:** Thermal disconnection system  
**MI:** Disconnection indicator

#### Electrical Characteristics

SPD type	IEC	2+3
Network		120/208 V
AC system		TNC
Max. AC operating voltage	Uc	150 Vac
Temporary Over Voltage (TOV) Characteristics - 5 sec. Without disconnection	UT	180 Vac withstand
Temporary Over Voltage (TOV) Characteristics - 120 mn Without disconnection or with safety disconnection	UT	230 Vac withstand
Residual Current	Ipe	None
Leakage current to Ground		
Follow current	If	None
Nominal discharge current 15 x 8/20 μs impulses	In	20 kA
Max. discharge current max. withstand @ 8/20 μs by pole	I <sub>max</sub>	50 kA
Total Maximum discharge current max. total withstand @ 8/20 μs	I <sub>max</sub> Total	150 kA
Withstand on Combination waveform IEC 61643-11 Class III test: 1.2/50μs - 8/20μs	Uoc	6 kV
Connection mode(s)		L/PE
Protection level L/PE @ In (8/20μs)	Up L/PE	1.5 kV
Residual voltage L/PE at 5 kA @ 5 kA (8/20μs)	Up-5kA	0.4 kV
Admissible short-circuit current	I <sub>sc</sub>	50 000 A

#### Mechanical Characteristics

Technology		VG Technology (MOV+GSG)
SPD configuration		3-phase
Connection to Network		By screw terminals: 2.5-25mm <sup>2</sup> (35mm <sup>2</sup> rigid)
Format		Plug-in modular box
Mounting		Symmetrical rail 35 mm (EN 60715)
Housing material		Thermoplastic UL94 V-0
Operating temperature	Tu	-40/+85°C
Protection rating		IP20
Failsafe mode		Disconnection from AC network
Disconnection indicator		1 mechanical indicator by pole - Red/Green
Spare module(s)		MDAC50VG-150
Remote signaling of disconnection		Output on changeover contact
Wiring for remote signaling		1.5 mm <sup>2</sup> max.
Max. Voltage/Current for remote signaling		250 V / 0.5 A (AC) / 30 V / 3 A (DC)
Dimensions		See diagram - 3 TE (EN43880)
Weight		0.267 kg

#### Disconnectors

Thermal disconnector		Internal
Installation ground fault breaker		Type 'S' or delayed
Back-up protection device		50 A min. - 160 A max. - Fuses Type gG

#### Standards

Standards compliance		IEC 61643-11 / EN 61643-11 / UL1449 ed.5
Certification		KEMA

#### Part number

821130123

