



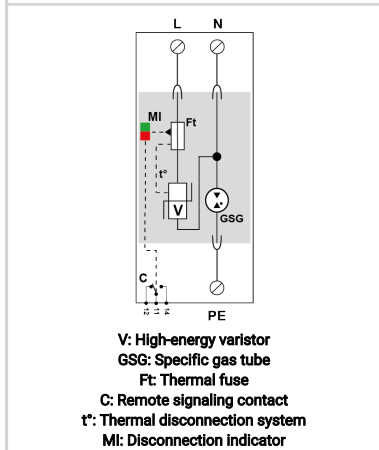
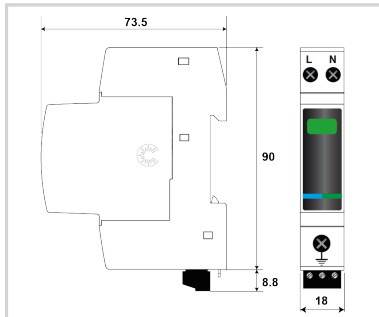
CITEL

Compact 1-phase Type 2 (or 3) surge protector - 230 V - Pluggable

DAC15CS-11-320



- ▶ Compact single-phase Type 2 (or 3) surge protector
- ▶ In : 5 kA
- ▶ I_{max} : 15 kA
- ▶ Commun/Differential mode
- ▶ Pluggable module
- ▶ Remote signaling
- ▶ EN 61643-11, IEC 61643-11 certified
- ▶ UL1449 ed.5 compliance



Electrical Characteristics		
SPD type	IEC	2+3
Network		230/400 V
AC system		TT-TN
Max. AC operating voltage	U _c	320 Vac
Temporary Over Voltage (TOV) Characteristics - 5 sec. <i>Without disconnection</i>	UT	335 Vac withstand
Temporary Over Voltage (TOV) Characteristics - 120 mn <i>Without disconnection or with safety disconnection</i>	UT	440 Vac disconnection
Temporary Over Voltage N/PE (TOV HT) <i>Without disconnection or with safety disconnection</i>	UT	1200 V/300A/200 ms withstand
Residual Current <i>Leakage current to Ground</i>	I _{pe}	None
Follow current	I _f	None
Nominal discharge current <i>15 x 8/20 μs impulses</i>	I _n	5 kA
Max. discharge current <i>max. withstand @ 8/20 μs by pole</i>	I _{max}	15 kA
Total Maximum discharge current <i>max. total withstand @ 8/20 μs</i>	I _{max} Total	30 kA
Withstand on Combination waveform IEC 61643-11 <i>Class III test: 1.2/50μs - 8/20μs</i>	U _{oc}	10 kV
Protection mode(s)		L/PE and N/PE
Protection level N/PE <i>@ I_n (8/20μs)</i>	U _p N/PE	1.5 kV
Protection level <i>@ I_n (8/20μs) and @ 6 kV (1.2/50 μs)</i>	U _p L/N	1.1 kV
Admissible short-circuit current	I _{scrr}	10 000 A
Mechanical Characteristics		
Technology		MOV+GDT
SPD configuration		Single phase
Connection to Network		By screw terminals: L/N = 1.5-10mm ² (16mm ² rigid) or PE = 2.5-25mm ² (35mm ² rigid)
Format		Plug-in modular box
Mounting		Symmetrical rail 35 mm (EN 60715)
Housing material		Thermoplastic UL94 V-0
Operating temperature	T _u	-40/+85°C
Protection rating		IP20
Failsafe mode		Disconnection from AC network
Disconnection indicator		1 mechanical indicator - Red/Green
Spare module(s)		MDAC15C-11-320
Remote signaling of disconnection		Output on changeover contact
Wiring for remote signaling		1.5 mm ² max.
Max. Voltage/Current for remote signaling		250 V / 0.5 A (AC) / 30 V / 3 A (DC)
Dimensions		See diagram - 1 TE (EN43880)
Disconnectors		
Thermal disconnector		Internal
Installation ground fault breaker		Type 'S' or delayed
Back-up protection device		20 A min. - 125 A max. - Fuses type gG
Standards		
Standards compliance		IEC 61643-11 / EN 61643-11 / UL1449 ed.5



CITEL

Compact 1-phase Type 2 (or 3) surge protector - 230 V - Pluggable

DAC15CS-11-320

Certification	KEMA
Part number	821620321

