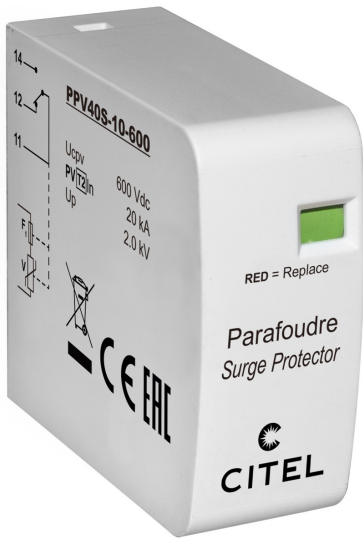




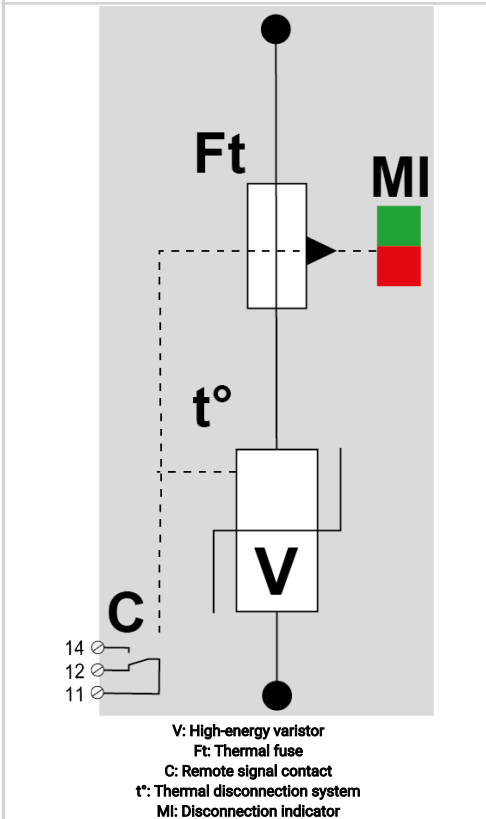
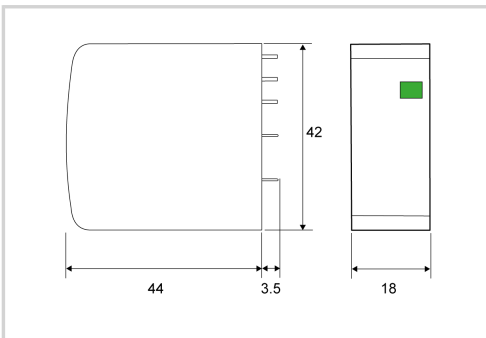
CITEL

Type 2 PV Surge Protector for PCB mounting

PPV40S-10-600



- Type 2 surge protector for Photovoltaic
- PCB mounting
- I_{max}: 40 kA
- Remote signaling
- EN 50539-11 and IEC 61643-31 compliance*



Electrical Characteristics

SPD type	IEC	2
Nominal PV voltage	U _{ocstc}	600 Vdc
Max. PV operating voltage	U _{cpv}	600 Vdc
Max. PV operating voltage (star mounting)	U _{cpv}	1200 Vdc
Residual Current	I _{pe}	None
Leakage current to Ground	I _{pe}	None
PV Permanent Operating current	I _{cpv}	< 0.1 mA
Current consumption at U _{cpv}	I _{cpv}	< 0.1 mA
Follow current	I _f	None
Nominal discharge current	I _n	20 kA
15 x 8/20 μs impulses	I _n	20 kA
Max. discharge current	I _{max}	40 kA
max. withstand @ 8/20 μs by pole	I _{max}	40 kA
Current withstand short circuit PV	I _{scpv}	15 000 A
Connection mode(s)		+/-/PE
Protection mode(s)		Common/Differential mode
Protection level	U _p	2 kV
@ I _n (8/20μs)	U _p	2 kV
Protection level (star mounting)	U _p	4 kV
(+/-) / (+/PE or -/PE) @ I _n (8/20μs)	U _p	4 kV
Protection level +/-	U _p	5.1 kV
@ I _n (8/20μs)	U _p	5.1 kV
Protection level +/-PE (-/PE)	U _p	2.5 kV
@ I _n (8/20μs)	U _p	2.5 kV

Mechanical Characteristics

Technology		MOV
Connection to Network		Through soldering pins
Format		Plug-in modular box
Mounting		On Printed Circuit Board
Housing material		Thermoplastic UL94 V-0
Operating temperature	T _u	-40/+85°C
Protection rating		IP20
Failsafe mode		Disconnection SPD of the PV line
Disconnection indicator		1 mechanical indicator
Spare module(s)		DSM50PV-600
Remote signaling of disconnection		Output on changeover contact
Dimensions		See diagram
Weight		0.059 kg
Weight		0.058 kg

Disconnectors

Thermal disconnector		Internal
Back-up protection device		Without

Standards

Standards compliance		IEC 61643-31 / EN 50539-11 *The standard cover devices. PPV /PAC series are components. Compliant when combined is an assembly.
----------------------	--	---

Part number

Part number		8722203
-------------	--	---------

