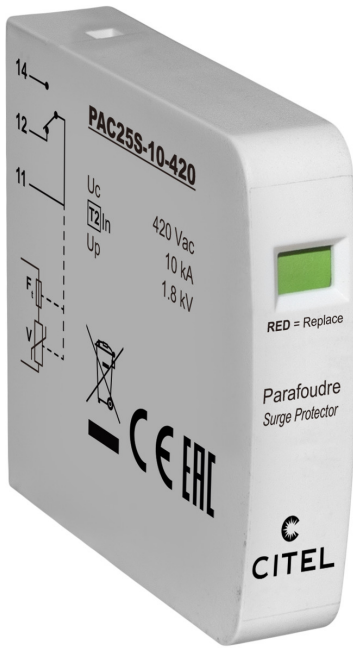




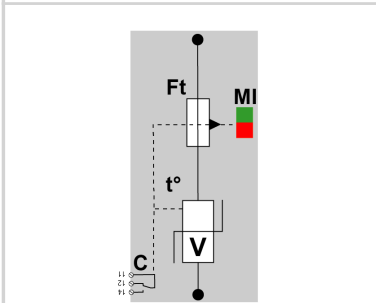
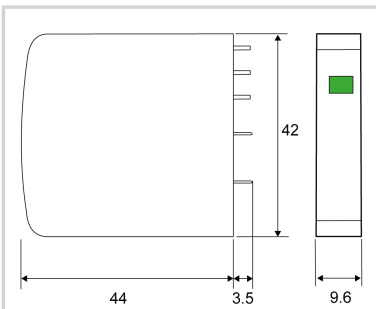
# CITEL

## Type 2 AC Surge Protector for PCB mounting

### PAC25S-10-420



- Type 2 AC surge protector
- PCB mounting
- I<sub>max</sub>: 25 kA
- Remote signaling
- EN 50539-11 and IEC 61643-31 compliance\*



V: High-energy varistor  
 Ft: Thermal fuse  
 C: Remote signal contact  
 t°: Thermal disconnection system  
 MI: Disconnection indicator

#### Electrical Characteristics

SPD type	IEC	2
Max. AC operating voltage	Uc	420 Vac
Nominal discharge current <i>15 x 8/20 μs impulses</i>	In	10 kA
Max. discharge current <i>max. withstand @ 8/20 μs by pole</i>	I <sub>max</sub>	25 kA
Protection level <i>@ In (8/20μs)</i>	Up	1.8 kV
Admissible short-circuit current	I <sub>sc</sub>	25 000 A

#### Mechanical Characteristics

Connection to Network		Through soldering pins
Mounting		On Printed Circuit Board
Housing material		Thermoplastic UL94 V-0
Operating temperature	Tu	-40/+85°C
Protection rating		IP20
Disconnection indicator		1 mechanical indicator
Remote signaling of disconnection		Output on changeover contact
Dimensions		9.6 mm
Weight		0.034 kg
Weight		0.020 kg

#### Disconnectors

Thermal disconnector		Internal
----------------------	--	----------

#### Standards

Standards compliance		EN 61643-11 / IEC 61643-11 *The standard cover devices. PPV /PAC series are components. Compliant when combined is an assembly.
----------------------	--	---

#### Part number

8711201

