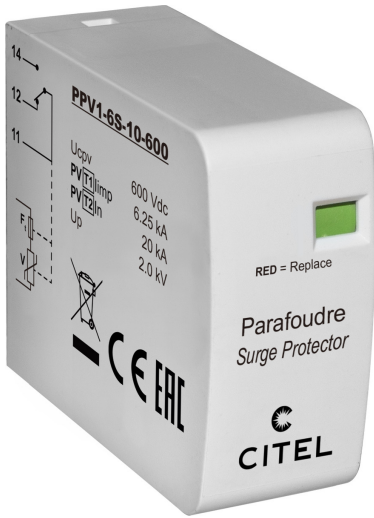




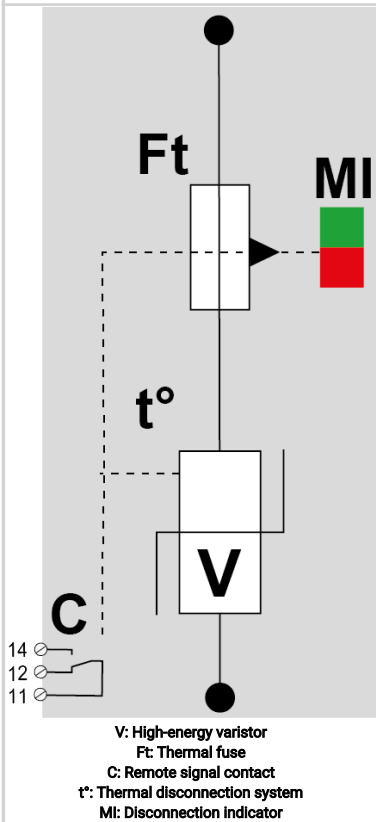
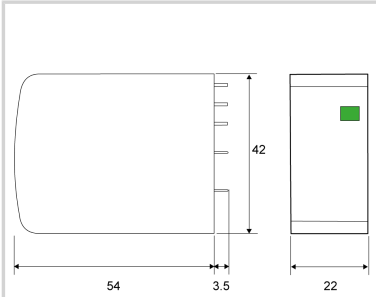
# CITEL

## Type 1+2 PV Surge Protector for PCB mounting

### PPV1-6S-10-600



- Type 1+2 surge protector for Photovoltaic
- PCB mounting
- Iimp : 6.25 kA (10/350 μs)
- Remote signaling
- EN 50539-11 and IEC 61643-31 compliance\*



#### Electrical Characteristics

SPD type	IEC	1+2
Max. PV operating voltage	Ucpv	600 Vdc
Max. PV operating voltage (star mounting)	Ucpv	1200 Vdc
PV Permanent Operating current	Icpv	< 0.1 mA
Current consumption at Ucpv		
Nominal discharge current	In	20 kA
15 x 8/20 μs impulses		
Impulse current by pole	Iimp	6.25 kA
max. withstand 10/350μs by pole		
Current withstand short circuit PV	Iscpv	15 000 A
Protection level	Up	2 kV
@ In (8/20μs)		
Protection level (star mounting)	Up	4 kV
(+/-) / (+/PE or -/PE) @ In (8/20μs)		

#### Mechanical Characteristics

Connection to Network		Through soldering pins
Mounting		On Printed Circuit Board
Housing material		Thermoplastic UL94 V-0
Operating temperature	Tu	-40/+85°C
Protection rating		IP20
Disconnection indicator		Mechanical indicator
Remote signaling of disconnection		Output on changeover contact
Dimensions		See diagram

#### Disconnectors

Thermal disconnector		Internal
Back-up protection device		Without

#### Standards

Standards compliance		IEC 61643-31 / EN 50539-11 *The standard cover devices. PPV /PAC series are components. Compliant when combined is an assembly.
----------------------	--	---

#### Part number

8723203

