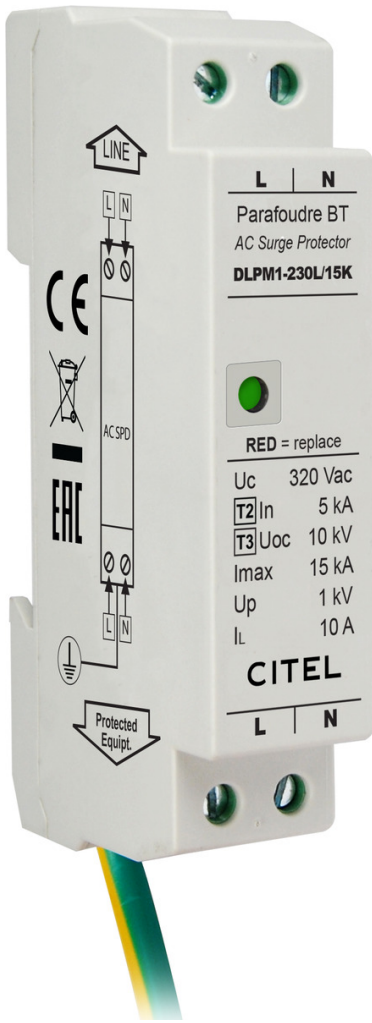




# CITEL

## Surge protector for LED lighting system Class 1

### DLPM1-230L/15K



- Type 2 (or 3) surge protectors for LED
- For single-phase or biphas network
- Very compact (low profile)
- DIN rail mounting
- Screw terminal connection
- Mechanical status indicator
- Disconnection AC end of life
- EN 61643-11 compliance



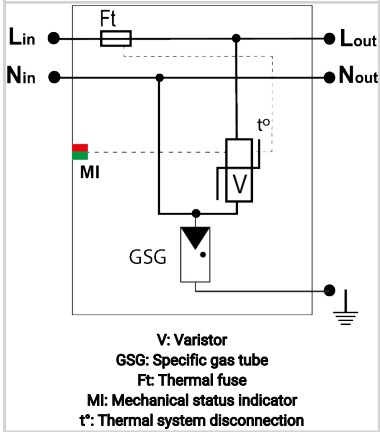
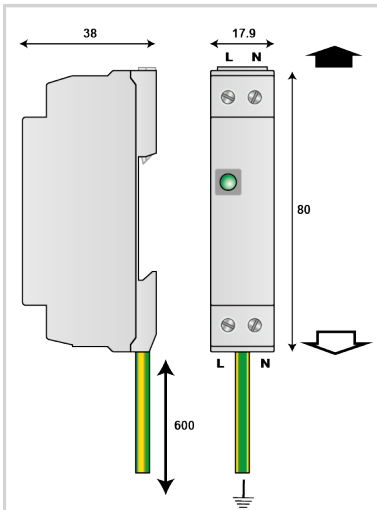
Electrical Characteristics		
SPD type	IEC	2+3
Network		220-240 V Single-phase
AC system		TT-TN
Nominal line voltage	Un	230-277 Vac
Max. AC operating voltage	Uc	320 Vac
Max. load current @25°C	IL	10 A
Temporary Over Voltage (TOV) Characteristics - 5 sec. <i>Without disconnection</i>	UT	335 Vac withstand
Temporary Over Voltage (TOV) Characteristics - 120 mn <i>Without disconnection or with safety disconnection</i>	UT	440 Vac disconnection
Temporary Over Voltage N/PE (TOV HT) <i>Without disconnection or with safety disconnection</i>	UT	1200 V/300A/200 ms disconnection
Residual Current <i>Leakage current to Ground</i>	Ipe	None
Nominal discharge current <i>15 x 8/20 μs impulses</i>	In	5 kA
Max. discharge current <i>max. withstand @ 8/20 μs by pole</i>	Imax	15 kA
Total Maximum discharge current <i>max. total withstand @ 8/20 μs</i>	Imax Total	20 kA
Withstand on Combination waveform IEC 61643-11 <i>Class III test: 1.2/50μs - 8/20μs</i>	Uoc	10 kV / 5 kA
Withstand on overvoltages IEEE C62.41.1		10 kV / 10 kA
Protection mode(s)		Common/Differential mode
Protection level <i>@ In (8/20 μs)</i>	Up L/L	1 kV
Protection level <i>@ In (8/20 μs)</i>	Up L/PE	1.5 kV
Admissible short-circuit current	Iscrr	10 000 A
Mechanical Characteristics		
Technology		MOV+GDT
Connection to Network		Screw terminal 2.5 mm <sup>2</sup> max. Earthing conductor 2 mm <sup>2</sup> - length 60 cm
Mounting		Symmetrical rail 35 mm (EN 60715)
Housing material		Thermoplastic UL94 V-0



# CITEL

## Surge protector for LED lighting system Class 1

### DLPM1-230L/15K



Operating temperature	Tu	-40/+85°C
Protection rating		IP20
Failsafe mode		Disconnection from AC network
Disconnection indicator		1 mechanical indicator
Operating indicator		Green Indicator
Remote signaling of disconnection		No
Dimensions		See diagram
Weight		0.073 kg
<b>Disconnectors</b>		
Thermal disconnector		Internal
Installation ground fault breaker		Type 'S' or delayed
<b>Standards</b>		
Standards compliance		EN 61643-11 / IEC 61643-11
<b>Part number</b>		
<b>355973</b>		

