



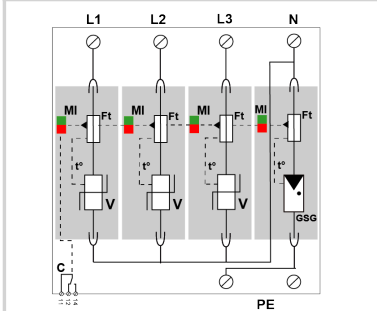
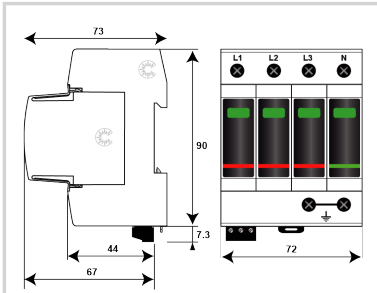
CITEL

Type 2 AC surge protector - 3-phase+N

DAC50S-31-440



- Type 2 AC surge protector
- In: 20 kA
- Imax: 50 kA
- Pluggable module for each phase
- Remote signaling
- EN 61643-11, IEC 61643-11 compliance



V: High-energy varistor
 GSG: Specific gas tube
 Ft: Thermal fuse
 C: Remote signaling contact
 †: Thermal disconnection system
 MI: Disconnection indicator

Electrical Characteristics

SPD type	IEC	2
Network		230/400 V
AC system		TT-TNS
Max. AC operating voltage	Uc	440 Vac
Temporary Over Voltage (TOV) Characteristics - 5 sec. Without disconnection	UT	580 Vac withstand
Temporary Over Voltage (TOV) Characteristics - 120 mn Without disconnection or with safety disconnection	UT	770 Vac disconnection
Temporary Over Voltage N/PE (TOV HT) Without disconnection or with safety disconnection	UT	1200 V/300A/200 ms withstand
Residual Current Leakage current to Ground	Ipe	None
Follow current	If	None
Nominal discharge current 15 x 8/20 μs impulses	In	20 kA
Max. discharge current max. withstand @ 8/20 μs by pole	Imax	50 kA
Total Maximum discharge current max. total withstand @ 8/20 μs	Imax Total	50 kA
Protection mode(s)		L/N and N/PE
Protection level @ In (8/20μs) and @ 6 kV (1,2/50 μs)	Up L/N	2 kV
Protection level N/PE @ In (8/20μs) and @ 6 kV (1,2/50 μs)	Up N/PE	1.5 kV
Admissible short-circuit current	Iscrr	50 000 A

Mechanical Characteristics

Technology		MOV+GDT
SPD configuration		3-phase+Neutral
Connection to Network		By screw terminals: 2.5-25mm ²
Format		Plug-in modular box
Mounting		Symmetrical rail 35 mm (EN 60715)
Housing material		Thermoplastic UL94 V-0
Operating temperature	Tu	-40/+85°C
Protection rating		IP20
Failsafe mode		Disconnection from AC network
Disconnection indicator		1 mechanical indicator by pole - Red/Green
Spare module(s)		MDAC50-440+MDACG-440
Remote signaling of disconnection		Output on changeover contact
Wiring for remote signaling		1.5 mm ² max.
Max. Voltage/Current for remote signaling		250 V / 0.5 A (AC) / 30 V / 3 A (DC)
Dimensions		See diagram - 4TE (EN43880)

Disconnectors

Thermal disconnector		Internal
Installation ground fault breaker		Type 'S' or delayed
Back-up protection device		50 A min. - 125 A max. - Fuses Type gG

Standards

Standards compliance		IEC 61643-11 / EN 61643-11
Certification		UL

Part number

821110444

