



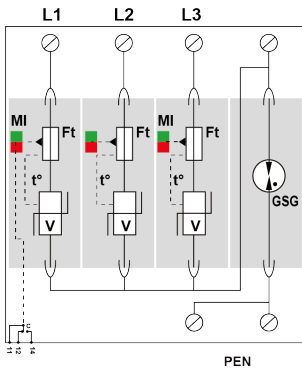
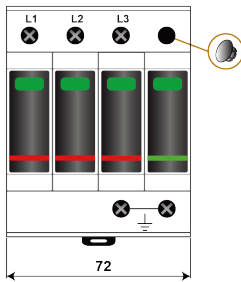
Type 2 AC surge protector - 3-phase

CITEL

DAC50S-31-760-2600DC



- Type 2 AC surge protector
- In : 20 kA
- I_{max} : 50 kA
- Pluggable module for each phase
- Remote signaling
- EN 61643-11, IEC 61643-11 compliance



V: High-energy varistor
GSG: Specific gas tube
Ft: Thermal fuse
C: Remote signaling contact
t°: Thermal disconnection system
MI: Disconnection indicator

Electrical Characteristics

SPD type	IEC	2
Network		400/690 Vac 3-phase
AC system		TNC-IT
Max. AC operating voltage	U _c	800 Vac
Temporary Over Voltage (TOV) Characteristics - 5 sec. Without disconnection	UT	2200 Vac withstand
Residual Current Leakage current to Ground	I _{pe}	None
Follow current	I _f	None
Nominal discharge current 15 x 8/20 μs impulses	I _n	20 kA
Max. discharge current max. withstand @ 8/20 μs by pole	I _{max}	50 kA
Total Maximum discharge current max. total withstand @ 8/20 μs	I _{max Total}	50 kA
Protection mode(s)		L/PE
Protection level @ I _n (8/20 μs)	U _p	≤ 4 kV
Admissible short-circuit current	I _{scrr}	50 000 A

Mechanical Characteristics

Technology		MOV+GDT
SPD configuration		3+1-Y diagram
Connection to Network		By screw terminals: 2.5-25mm ²
Format		Plug-in modular box
Mounting		Symmetrical rail 35 mm (EN 60715)
Housing material		Thermoplastic UL94 V-0
Operating temperature	T _u	-40/+85°C
Protection rating		IP20
Failsafe mode		Disconnection from AC network
Disconnection indicator		1 mechanical indicator by pole - Red/Green
Spare module(s)		MDAC50-320+MDAC50G-320
Remote signaling of disconnection		output on changeover contact
Wiring for remote signaling		1.5 mm ² max.
Max. Voltage/Current for remote signaling		250 V / 0.5 A (AC) / 30 V / 3 A (DC)
Dimensions		See diagram - 4TE (EN43880)
Weight		0.443 kg

Disconnectors

Thermal disconnector		Internal
Installation ground fault breaker		Type 'S' or delayed
Back-up protection device		50 A min. - 125 A max. - Fuses Type gG

Standards

Standards compliance		IEC 61643-11 / EN 61643-11 / UL1449 ed.5
----------------------	--	--

Part number

821115544

