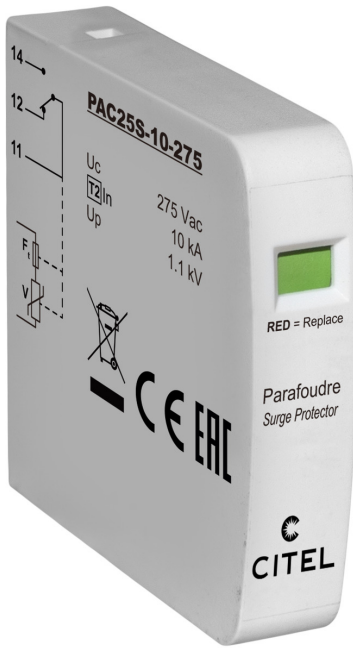




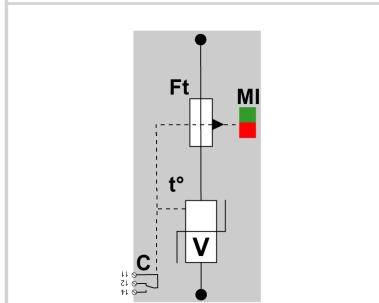
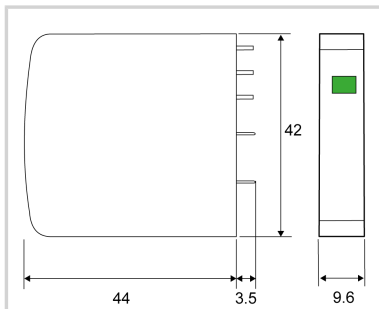
CITEL

Type 2 AC Surge Protector for PCB mounting

PAC25S-10-275



- Type 2 AC surge protector
- PCB mounting
- I_{max}: 25 kA
- Remote signaling
- EN 50539-11 and IEC 61643-31 compliance*



V: High-energy varistor
 Ft: Thermal fuse
 C: Remote signal contact
 t°: Thermal disconnection system
 MI: Disconnection indicator

Electrical Characteristics

SPD type	IEC	2
Max. AC operating voltage	U _c	275 Vac
Nominal discharge current <i>15 x 8/20 μs impulses</i>	I _n	10 kA
Max. discharge current <i>max. withstand @ 8/20 μs by pole</i>	I _{max}	25 kA
Protection level <i>@ I_n (8/20μs)</i>	U _p	1.1 kV
Admissible short-circuit current	I _{scrc}	25 000 A

Mechanical Characteristics

Connection to Network		Through soldering pins
Mounting		On Printed Circuit Board
Housing material		Thermoplastic UL94 V-0
Operating temperature	T _u	-40/+85°C
Protection rating		IP20
Disconnection indicator		1 mechanical indicator
Remote signaling of disconnection		Output on changeover contact
Dimensions		9.6 mm
Weight		0.025 kg
Weight		0.051 kg

Disconnectors

Thermal disconnector		Internal
----------------------	--	----------

Standards

Standards compliance		EN 61643-11 / IEC 61643-11 *The standard cover devices. PPV /PAC series are components. Compliant when combined is an assembly.
----------------------	--	---------------------------------------------------------------------------------------------------------------------------------

Part number

8711207

