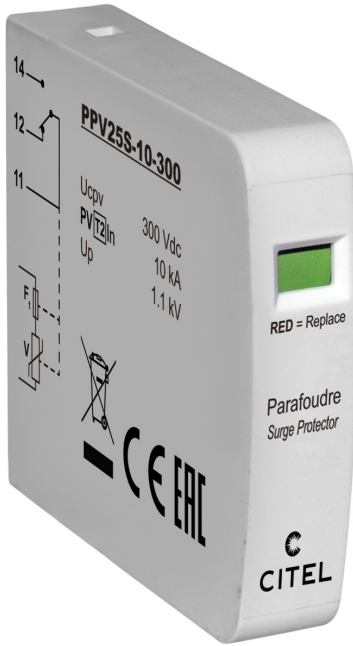




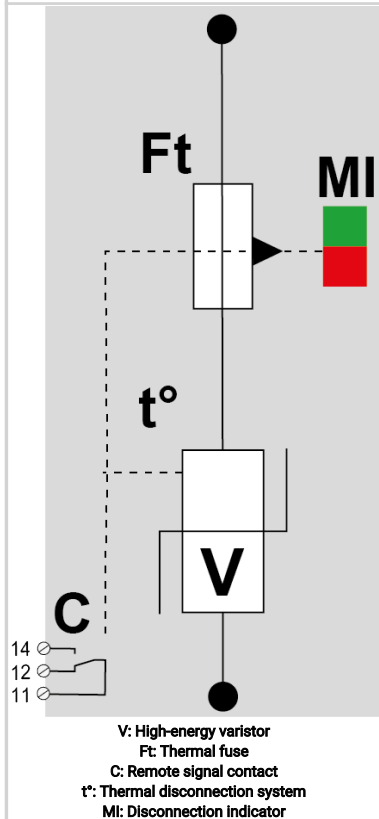
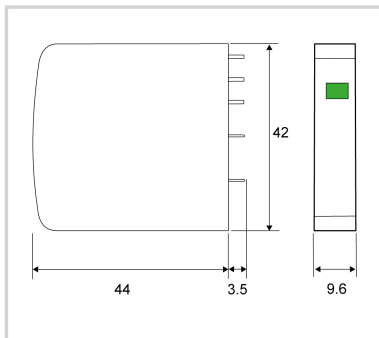
CITEL

Type 2 PV Surge Protector for PCB mounting

PPV25S-10-300



- Type 2 surge protector for Photovoltaic
- PCB mounting
- I_{max}: 25 kA
- Remote signaling
- EN 50539-11 and IEC 61643-31 compliance*



Electrical Characteristics

SPD type	IEC	2
Nominal PV voltage	Uocstc	600 Vdc
Max. PV operating voltage	Ucpv	300 Vdc
Max. PV operating voltage (star mounting)	Ucpv	600 Vdc
Residual Current	Ipe	None
Leakage current to Ground		
PV Permanent Operating current	Icpv	< 0.1 mA
Current consumption at Ucpv		
Follow current	If	None
Nominal discharge current	In	10 kA
15 x 8/20 μs impulses		
Max. discharge current	I _{max}	25 kA
max. withstand @ 8/20 μs by pole		
Current withstand short circuit PV	Iscpv	15 000 A
Connection mode(s)		+/-/PE
Protection mode(s)		Common/Differential mode
Protection level	Up	1.1 kV
@ In (8/20 μs)		
Protection level (star mounting)	Up	2.2 kV
(+/-) / (+/PE or -/PE) @ In (8/20 μs)		
Protection level +/-	Up	5.1 kV
@ In (8/20 μs)		
Protection level +/-PE (-/PE)	Up	2.5 kV
@ In (8/20 μs)		

Mechanical Characteristics

Technology		MOV
Connection to Network		Through soldering pins
Format		Plug-in modular box
Mounting		On Printed Circuit Board
Housing material		Thermoplastic UL94 V-0
Operating temperature	Tu	-40/+85°C
Protection rating		IP20
Failsafe mode		Disconnection SPD of the PV line
Disconnection indicator		1 mechanical indicator
Spare module(s)		DSM50PV-600
Remote signaling of disconnection		Output on changeover contact
Dimensions		See diagram
Weight		0.051 kg
Weight		0.025 kg

Disconnectors

Thermal disconnector		Internal
Back-up protection device		Without

Standards

Standards compliance		IEC 61643-31 / EN 50539-11 *The standard cover devices. PPV /PAC series are components. Compliant when combined is an assembly.
----------------------	--	---

Part number

8721210

