

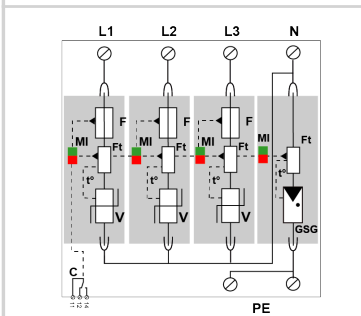
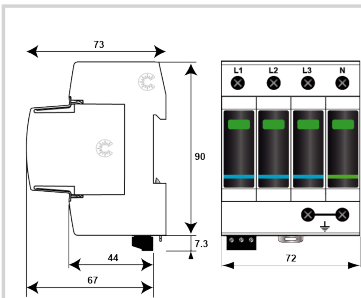


CITEL

DACF15S-31-440



- ▶ Type 2 (or 3) AC surge protector
- ▶ Internal Disconnection device
- ▶ Low fuse rating of the internal connector = systematic coordination with upstream circuit breaker
- ▶ In: 5 kA
- ▶ I_{max}: 15 kA
- ▶ Pluggable module for each phase
- ▶ Remote signaling
- ▶ EN 61643-11, IEC 61643-11, UL1449 ed.5 compliance



V: High-energy varistor
 Ft: Thermal fuse
 F: Overcurrent protection (fuse)
 t*: Thermal disconnection system
 C: Remote signal contact
 MI: Disconnection indicator

Electrical Characteristics		
SPD type	IEC	2+3
Network		230/400 V
AC system		TT-TN
Max. AC operating voltage	U _c	440 Vac
Temporary Over Voltage (TOV) Characteristics - 5 sec. Without disconnection	UT	335 Vac withstand
Temporary Over Voltage (TOV) Characteristics - 120 mn Without disconnection or with safety disconnection	UT	440 Vac disconnection
Temporary Over Voltage N/PE (TOV HT) Without disconnection or with safety disconnection	UT	1200 V/300A/200 ms withstand
Residual Current Leakage current to Ground	I _{pe}	None
Follow current	I _f	None
Nominal discharge current 15 x 8/20 μs impulses	I _n	5 kA
Nominal discharge current N/PE 15 x 8/20 μs impulses	I _n N/PE	20 kA
Max. discharge current max. withstand @ 8/20 μs by pole	I _{max}	15 kA
Withstand on Combination waveform IEC 61643-11 Class III test: 1.2/50μs - 8/20μs	U _{oc}	10 kV
Protection level L/N @ I _n (8/20μs)	U _p L/N	1.5 kV
Protection level N/PE @ I _n (8/20μs)	U _p N/PE	1.5 kV
Admissible short-circuit current	I _{sc}	100 000 A
Mechanical Characteristics		
Technology		MOV+GDT
SPD configuration		3-phase+Neutral
Connection to Network		By screw terminals: 2.5-25mm ² (35mm ² rigid)
Format		Plug-in modular box
Mounting		Symmetrical rail 35 mm (EN 60715)
Housing material		Thermoplastic UL94 V-0
Operating temperature	T _u	-40/+85°C
Protection rating		IP20
Failsafe mode		Disconnection from AC network
Disconnection indicator		1 mechanical indicator by pole - Red/Green
Spare module(s)		MDACF15-440+MDAC50G-255
Remote signaling of disconnection		output on changeover contact
Wiring for remote signaling		1.5 mm ² max.
Dimensions		See diagram - 4TE (EN43880)
Weight		0.353 kg
Disconnectors		
Thermal disconnector		Internal
Installation ground fault breaker		Type 'S' or delayed
Back-up protection device		internal (equivalent AC rating : 25 A, gG Type)
Standards		
Standards compliance		IEC 61643-11 / EN 61643-11
Part number		
821310444		

