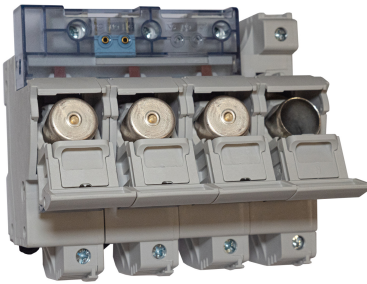




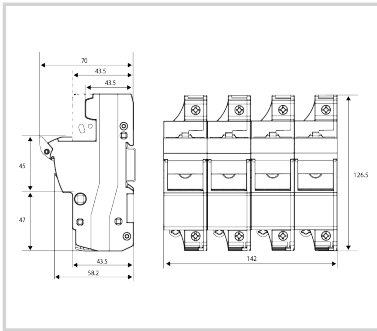
CITEL

Fuses+holders for protection of 3-phase+N Type 1 AC SPD

SFD1-25S-31



- Specific Fuses (SPD Fusing Disconnectors) for short circuit protection of AC SPD
- For Type 1 SPD
- Surge current withstand: 25 kA (@10/350µs)
- Very compact
- Included fuses
- Remote signaling and status signaling



Electrical Characteristics	
AC system	TT-TN
Max. AC operating voltage	Uc 500 Vac
Nominal discharge current <i>15 x 8/20 µs impulses</i>	In 80 kA
Max. discharge current <i>max. withstand @ 8/20 µs by pole</i>	I _{max} 100 kA
Impulse current by pole <i>max. withstand 10/350µs by pole</i>	I _{imp} 25 kA
Equivalent rated AC current	250 A
Breaking capacity	100 000 A
Residual voltage	Up < 0.5 kV @ 25 kA
Mechanical Characteristics	
Fuse configuration	Cylindrical 22x58 mm
Mounting	Symmetrical rail 35 mm (EN 60715)
Accessory(s) provided	Fuse(s) included
Operating temperature	Tu -40/+85°C
Protection rating	IP20
Disconnection indicator	Striker
Spare module(s)	SFD1-25
Remote signaling of disconnection	Yes
Dimensions	See diagram
Weight	0.84 kg
Standards	
Standards compliance	EN 61643-11 /IEC 61643-11 /EN 60269-1/EN 60269-2/IEC 60269-1/IEC 60269-2
Part number	
64058	

