



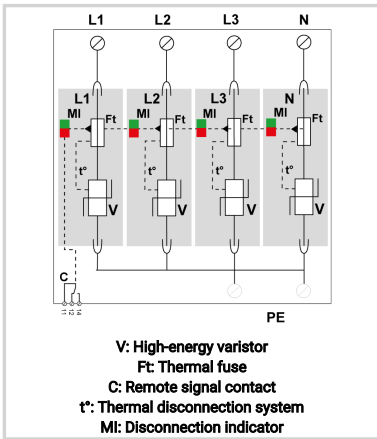
CITEL

Type 2 AC surge protector - Re-inforced - pluggable

DAC80S-40-320



- Re-inforced Type 2 AC surge protector
- In: 40 kA
- I_{max}: 80 kA
- Pluggable module for each phase
- Remote signaling
- EN 61643-11, IEC 61643-11 certified
- UL1449 ed.5 compliance



Electrical Characteristics

SPD type	IEC	2
Network		230/400 V
AC system		TNS
Max. AC operating voltage	U _c	320 Vac
Temporary Over Voltage (TOV) Characteristics - 5 sec. Without disconnection	UT	335 Vac withstand
Temporary Over Voltage (TOV) Characteristics - 120 mn Without disconnection or with safety disconnection	UT	440 Vac disconnection
Residual Current Leakage current to Ground	I _{pe}	< 1 mA
Follow current	I _f	None
Nominal discharge current 15 x 8/20 μs impulses	I _n	40 kA
Max. discharge current max. withstand @ 8/20 μs by pole	I _{max}	80 kA
Protection mode(s)		L/PE and N/PE
Protection level N/PE @ I _n (8/20 μs)	U _p N/PE	1.6 kV
Protection level L/PE @ I _n (8/20 μs)	U _p L/PE	1.6 kV
Admissible short-circuit current	I _{sc}	50 000 A

Mechanical Characteristics

Technology		MOV
Connection to Network		By screw terminals: 2.5-25mm ² (35mm ² rigid)
Format		Plug-in modular box
Mounting		Symmetrical rail 35 mm (EN 60715)
Housing material		Thermoplastic UL94 V-0
Operating temperature	T _u	-40/+85°C
Protection rating		IP20
Failsafe mode		Disconnection from AC network
Disconnection indicator		1 mechanical indicator by pole - Red/Green
Spare module(s)		MDAC80-320
Remote signaling of disconnection		Output on changeover contact
Max. Voltage/Current for remote signaling		250 V / 0.5 A (AC) / 30 V / 3 A (DC)
Dimensions		See diagram - 4TE (EN43880)
Weight		0.474 kg

Disconnectors

Thermal disconnector		Internal
Installation ground fault breaker		Type 'S' or delayed
Back-up protection device		Fuses Type gG - 125 A

Standards

Standards compliance		IEC 61643-11 / EN 61643-11 / UL1449 ed.5
Certification		KEMA

Part number

821210324

