



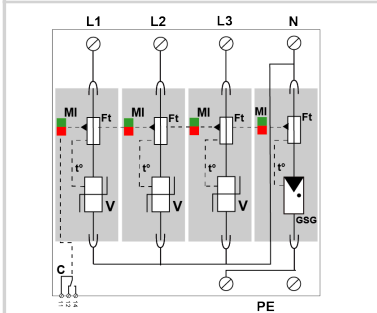
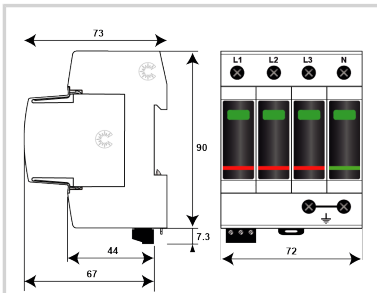
CITEL

Type 2 AC surge protector - Re-inforced - pluggable

DAC80S-31-385



- Re-inforced Type 2 AC surge protector
- In: 40 kA
- I_{max}: 80 kA
- Pluggable module for each phase
- Remote signaling
- EN 61643-11, IEC 61643-11 certified
- UL1449 ed.5 compliance



V: High-energy varistor
 GSG: Specific gas tube
 Ft: Thermal fuse
 C: Remote signaling contact
 †: Thermal disconnection system
 MI: Disconnection indicator

Electrical Characteristics

| | | |
|--|------------------|-----------------------|
| SPD type | IEC | 2 |
| Network | | 230/400 V 3-phase+N |
| AC system | | TT-TNS |
| Max. AC operating voltage | U _c | 385 Vac |
| Temporary Over Voltage (TOV) Characteristics - 5 sec. Without disconnection | UT | 500 Vac withstand |
| Temporary Over Voltage (TOV) Characteristics - 120 mn Without disconnection or with safety disconnection | UT | 650 Vac disconnection |
| Residual Current Leakage current to Ground | I _{pe} | < 1 mA |
| Follow current | I _f | None |
| Nominal discharge current 15 x 8/20 μs impulses | I _n | 40 kA |
| Max. discharge current max. withstand @ 8/20 μs by pole | I _{max} | 80 kA |
| Protection mode(s) | | L/N and N/PE |
| Protection level @ I _n (8/20μs) and @ 6 kV (1,2/50 μs) | Up L/N | 1.8 kV |
| Protection level N/PE @ I _n (8/20μs) and @ 6 kV (1,2/50 μs) | Up N/PE | 1.5 kV |
| Admissible short-circuit current | I _{sc} | 50 000 A |

Mechanical Characteristics

| | | |
|---|----------------|---|
| Technology | | MOV+GDT |
| Connection to Network | | By screw terminals: 2.5-25mm ² (35mm ² rigid) |
| Format | | Plug-in modular box |
| Mounting | | Symmetrical rail 35 mm (EN 60715) |
| Housing material | | Thermoplastic UL94 V-0 |
| Operating temperature | T _u | -40/+85°C |
| Protection rating | | IP20 |
| Failsafe mode | | Disconnection from AC network |
| Disconnection indicator | | 1 mechanical indicator by pole - Red/Green |
| Spare module(s) | | MDAC80-385 |
| Remote signaling of disconnection | | Output on changeover contact |
| Max. Voltage/Current for remote signaling | | 250 V / 0.5 A (AC) / 30 V / 3 A (DC) |
| Dimensions | | See diagram - 4TE (EN43880) |
| Weight | | 0.443 kg |

Disconnectors

| | | |
|-----------------------------------|--|-----------------------|
| Thermal disconnector | | Internal |
| Installation ground fault breaker | | Type 'S' or delayed |
| Back-up protection device | | Fuses Type gG - 125 A |

Standards

| | | |
|----------------------|--|--|
| Standards compliance | | IEC 61643-11 / EN 61643-11 / UL1449 ed.5 |
| Certification | | KEMA |

Part number

821210544

