



CITEL

ZPAC1-13VG-PRO-SUM



- Type 1+2+3 combined SPD based on a gas-filled spark gap
- 10-year guarantee
- Discharge capacity per pole: $I_{imp} = 12.5 \text{ kA}$ (10/350 μs)
- Operating and leakage current-free
- Can be used for lightning protection classes III & IV
- Individually pluggable protection modules: sustainable solution, cost-effective maintenance
- Complies with the IEC 61643-11 and EN 61643-11 standards
- VDE-AR-N 4100 compliant "Use of surge protective devices (SPD) type 1 in main power supply systems"
- Integrated fuse
- Dual voltage tap for RFZ and APZ
- Potential-free remote signaling contact
- Connection option for monitoring system

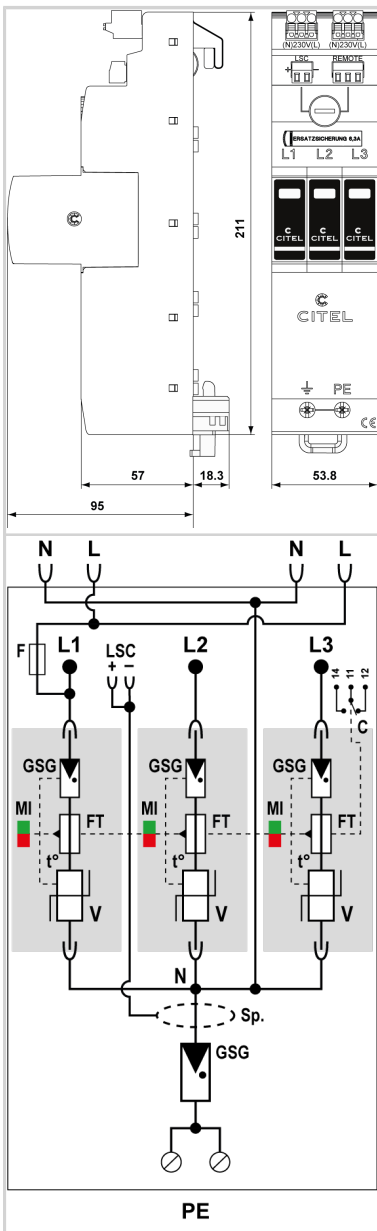


Electrical Characteristics		
SPD type	IEC	1+2+3
Network		230/400 V
AC system		TT-TNS
Nominal line voltage	Un	230/400 Vac
Max. AC operating voltage	Uc	275 Vac
Temporary Over Voltage (TOV) Characteristics - 5 sec. <i>Without disconnection</i>	UT	335 Vac withstand
Temporary Over Voltage (TOV) Characteristics - 120 mn <i>Without disconnection or with safety disconnection</i>	UT	440 Vac withstand
Temporary Over Voltage N/PE (TOV HT) <i>Without disconnection or with safety disconnection</i>	UT	1200 V/300A/200 ms withstand
Residual Current <i>Leakage current to Ground</i>	Ipe	None
Follow current	If	None
Nominal discharge current <i>15 x 8/20 μs impulses</i>	In	20 kA
Max. discharge current <i>max. withstand @ 8/20 μs by pole</i>	I _{max}	50 kA
Impulse current by pole <i>max. withstand 10/350μs by pole</i>	I _{imp}	12.5 kA
Total lightning current <i>max. total withstand @ 10/350μs</i>	I _{total}	50 kA
Withstand on Combination waveform IEC 61643-11 <i>Class III test: 1.2/50μs - 8/20μs</i>	Uoc	6 kV
Withstand on overvoltages IEEE C62.41.1		20 kV
Specific energy by pole <i>max. withstand 10/350 μs</i>	W/R	40 kJ/ohm
Connection mode(s)		L/N and N/PE
Protection mode(s)		Common/Differential mode
Protection level L/N <i>@ In (8/20μs)</i>	Up L/N	1.5 kV
Protection level L/PE <i>@ In (8/20μs)</i>	Up L/PE	1.5 kV
Residual voltage L/N at 5 kA <i>@ 5 kA (8/20μs)</i>	Up-5kA	0.7 kV
Admissible short-circuit current	I _{sc}	50 000 A
Mechanical Characteristics		
Technology		VG Technology (MOV+GSG)
SPD configuration		3-phase+Neutral
Connection to Network		By 40mm busbar and wire for PE: 6-35mm ² (50mm ²)
Format		Plug-in modular box
Mounting		40 mm busbar systems
Housing material		Thermoplastic UL94 V-0
Operating temperature	Tu	-40/+85°C
Protection rating		IP20
Failsafe mode		Disconnection from AC network



CITEL

ZPAC1-13VG-PRO-SUM



Disconnection indicator	1 mechanical indicator by pole
Spare module(s)	ZMDAC1-13VG-PRO-275
Remote signaling of disconnection	Output on changeover contact
Wiring for remote signaling	1.5 mm ² max.
Max. Voltage/Current for remote signaling	250 V / 0.5 A (AC) / 30 V / 2 A (DC)
Dimensions	See diagram
Weight	0.7401 kg
Disconnectors	
Thermal disconnector	Internal
Installation ground fault breaker	Type 'S' or delayed
Back-up protection device	max. 315 A (gL/gG)
Standards	
Standards compliance	IEC 61643-11 / EN 61643-11 / UL1449 5ed.
Certification	KEMA
Part number	
64093	

