



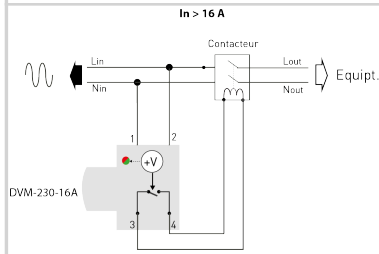
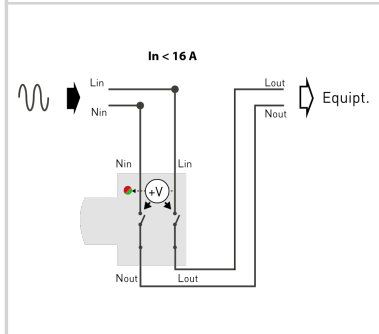
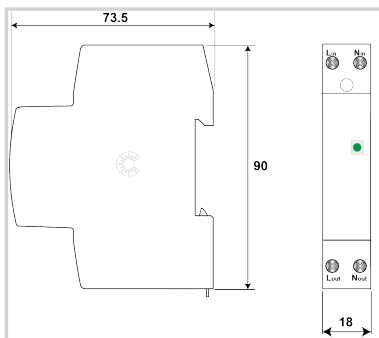
# CITEL

## Permanent & temporary overvoltages protector (POP)

### DVM-230-16A



- Protection against temporary overvoltages
- Automatic delayed switch-off and switch-on again
- Status display (green, red)
- Easy installation on top-hat rail
- Complies with EN 50550 standard



Electrical Characteristics	
Network	230 V single-phase
Mechanical Characteristics	
Minimum disconnection during on AC voltage	3s @ 275 Vac / 1s @ 300 Vac / 0.25s @ 350 Vac / 0.07 @ 400 Vac
Connection to Network	By screw terminals: 1.5-10mm <sup>2</sup>
Housing material	Thermoplastic UL94 V-0
Operating temperature	Tu -40/+85°C
Protection rating	IP20
Disconnection indicator	1 mechanical indicator - Red/Green
Dimensions	See diagram
Standards	
Standards compliance	IEC 63052
Part number	
<b>3589015</b>	

