



CITEL

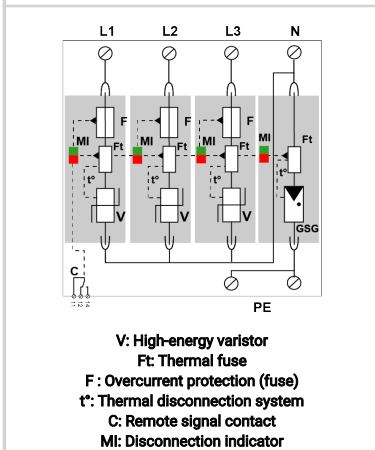
Type 2 AC surge protector - 3-phase+N - Integrated fuses

DACF25S-31-440



Type 2 AC surge protector

- › In: 15 kA
- › Imax: 25 kA
- › Interne Disconnection device
- › Pluggable module for each phase
- › Remote signaling
- › EN 61643-11, IEC 61643-11 and UL1449 ed.5 compliance



Electrical Characteristics		
SPD type	IEC	2
Network		230/400 V 3-phase+N
AC system		IT
Max. AC operating voltage	Uc	440 Vac
Temporary Over Voltage (TOV) Characteristics - 5 sec. Without disconnection	UT	580 Vac withstand
Temporary Over Voltage (TOV) Characteristics - 120 mn Without disconnection or with safety disconnection	UT	770 Vac disconnection
Temporary Over Voltage N/PE (TOV HT) Without disconnection or with safety disconnection	UT	1200 V/300A/200 ms withstand
Residual Current	Ipe	None
Leakage current to Ground		
Follow current	If	None
Nominal discharge current 15 x 8/20 μ s impulses	In	15 kA
Max. discharge current max. withstand @ 8/20 μ s by pole	Imax	25 kA
Total Maximum discharge current max. total withstand @ 8/20 μ s	Imax Total	50 kA
Connection mode(s)		L/N and N/PE
Protection level L/N @ In (8/20 μ s)	Up L/N	2 kV
Protection level N/PE @ In (8/20 μ s)	Up N/PE	2 kV
Residual voltage L/N at 5 kA @ 5 kA (8/20 μ s)	Up-5kA	1.5 kV
Protection level N/PE at 5 kA @ 5 kA (8/20 μ s)	Up-5kA	1.5 kV
Admissible short-circuit current	Iscrr	100 000 A
Mechanical Characteristics		
Technology		MOV+GDT
SPD configuration		3-phase+Neutral
Connection to Network		By screw terminals: 2.5-25mm ² (35mm ² rigid)
Format		Plug-in modular box
Mounting		Symmetrical rail 35 mm (EN 60715)
Housing material		Thermoplastic UL94 V-0
Operating temperature	Tu	-40/+85°C
Protection rating		IP20
Failsafe mode		Disconnection from AC network
Disconnection indicator		1 mechanical indicator by pole - Red/Green
Spare module(s)		MDACF25-440 + MDAC50G-255/F25
Remote signaling of disconnection		Output on changeover contact
Wiring for remote signaling		1.5 mm ² max.
Max. Voltage/Current for remote signaling		250 V / 0.5 A (AC) / 30 V / 3 A (DC)
Dimensions		See diagram - 4TE (EN43880)
Disconnectors		
Thermal disconnector		Internal
Installation ground fault breaker		Type 'S' or delayed
Back-up protection device		internal (equivalent AC rating : 40 A, gG Type)
Standards		
Standards compliance		IEC 61643-11 / EN 61643-11 / UL1449 ed.5
Part number		
821410444		

