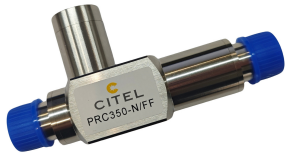




CITEL

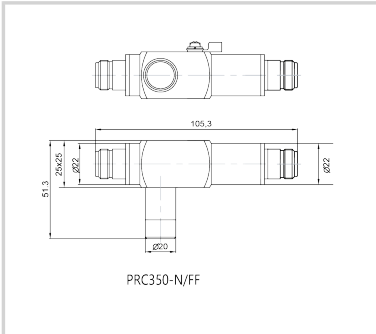
'Quarter wave' coaxial protector

PRC350-N/FF



REDACTED

- 'Quarter wave' coaxial protector type N
- Frequency: 150-500 MHz
- Low insertion loss
- I_{max} > 20 kA
- Maintenance free
- Bi-directional
- IP65



Electrical Characteristics		
Frequency range	f	150-500 MHz
Insertion loss		< 0.2 dB
Impedance		50 ohms
VSWR		<1.2
Max. discharge current <i>max. withstand @ 8/20 μs by pole</i>	I _{max}	20 kA
Residual voltage <i>4 kV 1.2/50μs, 2kA 8/20μs</i>		20 V
Max Power @f max.		1818 W
Max Power @f mini.		3319 W
Mechanical Characteristics		
Technology		Quarter Wave
Connection to Network		Connector N Female/Female
Mounting		Feedthrough
Operating temperature	Tu	-40/+85°C
Protection rating		IP65
Failsafe mode		Without
Dimensions		See diagram
Weight		0.280 kg
Standards		
Standards compliance		IEC 61643-21 / EN 61643-21 / UL497E
RohS compliance		Yes
Part number		
610110		

