



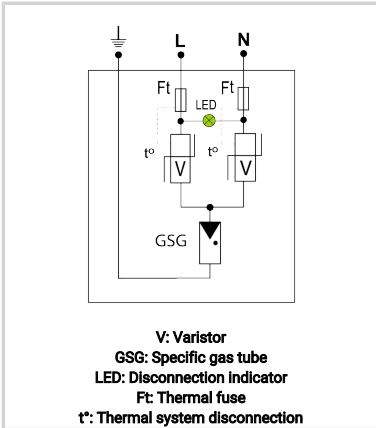
CITEL



Compact Type 2+3 hard wired surge protector

MSB10-400

- Compact type 2 (or 3) surge protector
- Wall mounting and hard wired connection
- Status indicators
- IP65
- Compliant EN 61643-11, IEC 61643-11 et UL1449 ed.5



Electrical Characteristics		
SPD type	IEC	2+3
Network		230/400 V
AC system		TT-TN
Nominal line voltage	Un	230 V
Max. AC operating voltage	Uc	255 Vac
Temporary Over Voltage (TOV) Characteristics - 5 sec. <i>Without disconnection</i>	UT	335 Vac withstand
Temporary Over Voltage (TOV) Characteristics - 120 mn <i>Without disconnection or with safety disconnection</i>	UT	440 Vac disconnection
Follow current	If	None
Nominal discharge current <i>15 x 8/20 μs impulses</i>	In	3 kA
Max. discharge current <i>max. withstand @ 8/20 μs by pole</i>	Imax	10 kA
Withstand on Combination waveform IEC 61643-11 <i>Class III test: 1.2/50μs - 8/20μs</i>	Uoc	6 kV
Withstand on overvoltages IEEE C62.41.1		10 kV / 10 kA
Protection mode(s)		Common/Differential mode
Protection level L/N <i>@ In (8/20μs)</i>	Up L/N	1.5 kV
Protection level L/PE <i>@ In (8/20μs)</i>	Up L/PE	1.5 kV
Admissible short-circuit current	Iscrc	10 000 A
Mechanical Characteristics		
Technology		MOV+GDT
Connection to Network		Wires
Mounting		Wall or plate
Housing material		Thermoplastic UL94 V-0
Operating temperature	Tu	-40/+85°C
Protection rating		IP65
Failsafe mode		Disconnection from AC network
Disconnection indicator		Green LED OFF
Operating indicator		Green Led ON
Dimensions		See diagram
Weight		0.116 kg
Disconnectors		
Thermal disconnector		Internal
Installation ground fault breaker		Type 'S' or delayed
Standards		
Standards compliance		IEC 61643-11 / EN 61643-11 / UL1449 ed.5
Certification		cRUus
Part number		
561201		

