



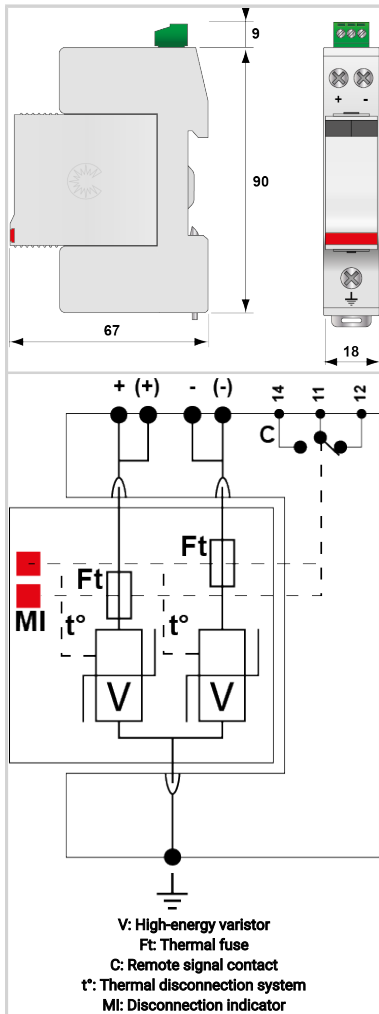
CITEL

DC power surge protector - 12 Vdc

DS220S-12DC



- Discover our latest innovation : the [DDC20CS-20-24](#)
- DC power surge protector
- 24 Vdc
- Compact design
- Imax : 20 kA
- Pluggable module
- Remote signaling
- Very low Up protection level



Electrical Characteristics		
SPD type	IEC	2
Network		DC or PV network 12Vdc
Nominal line voltage	Un	48 Vdc
Nominal DC voltage	Un-dc	12 Vdc
Nominal PV voltage	Uocstc	12 Vdc
Max. AC operating voltage	Uc	20 Vac
Max. PV operating voltage	Ucpv	24 Vdc
Max. DC operating voltage	Uc	24 Vdc
Max. load current @25°C	IL	50 A
Residual Current	Ipe	< 0.2 mA
PV Permanent Operating current	Icpv	< 0.1 mA
Current consumption at Ucpv		
Follow current	If	None
Nominal discharge current	In	10 kA
15 x 8/20 μs impulses		
Max. discharge current	Imax	20 kA
max. withstand @ 8/20 μs by pole		
Total Maximum discharge current	Imax Total	40 kA
max. total withstand @ 8/20 μs		
Current withstand short circuit PV	Iscpv	1000 A
Connection mode(s)		+/-/PE
Protection mode(s)		Common mode
Mechanical Characteristics		
Technology		MOV
SPD configuration		2-poles
Connection to Network		By screw terminals: 1.5-10mm ² (actives wires) and 2.5-25mm ² (ground)
Format		Plug-in modular box
Mounting		Symmetrical rail 35 mm (EN 60715)
Housing material		Thermoplastic UL94 V-0
Operating temperature	Tu	-40/+85°C
Protection rating		IP20
Failsafe mode		Disconnection from DC network
Disconnection indicator		2 mechanical indicators
Spare module(s)		DSM220-12DC
Remote signaling of disconnection		Output on changeover contact
Dimensions		See diagram
Weight		0.111 kg
Disconnectors		
Thermal disconnector		Internal
Back-up protection device		Fuses type gG - 20A
Standards		
Standards compliance		IEC 61643-11 / EN 61643-11 / UL1449 ed.5



CITEL

DC power surge protector - 12 Vdc

DS220S-12DC

Certification		cRUus
Environmental standards		EU RoHS
Part number		
390111		

