



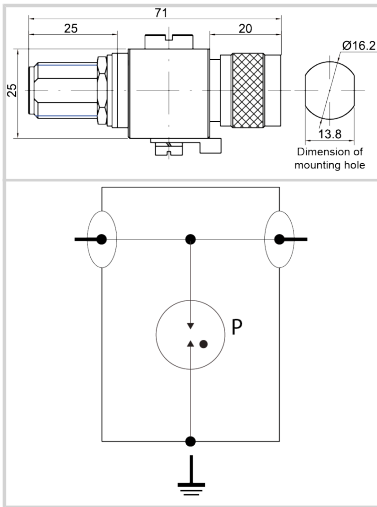
CITEL

Coaxial surge protector DC-7 GHz

P8AX25-6G-N/MF



- RF coaxial surge protector
- DC-7 GHz
- 190 W
- Connectors : N
- Low insertion loss
- Removable GDT
- DC-pass
- Bi-directional protection



Electrical Characteristics

Max. DC operating voltage	Uc	200 Vdc
Frequency range	f	DC-6 GHz
Insertion loss		< 0.2 dB
Return loss		> 19 dB
Impedance		50 ohms
VSWR		<1.25:1
Max. load current @25°C	IL	10 A
Max. discharge current <i>max. withstand @ 8/20 μs by pole</i>	Imax	15 kA
Nominal discharge current <i>C2 Category</i>	In	5 kA
Protection mode(s)		Common mode
Protection level <i>@ In (8/20μs)</i>	Up	< 2300 V
Impulse current <i>2 x 10/350μs Test - D1 Category</i>	Iimp	1 kA
Max Power		190 W
Typical let through energy <i>(50 ohms) input 4kV 1.2/50μs - 2kA 8/20μs</i>		2.2 mJ
DC Pass		Yes
Insulation resistance	IR	≥ 10 GOhms

Mechanical Characteristics

Technology		Gas discharge tube
Connection to Network		Connector N Male/Female
Mounting		Feedthrough
Housing material		Brass/Surface plating: Cu Zn Sn
Operating temperature	Tu	-40/+85°C
Protection rating		IP65
Failsafe mode		Short-circuit
Disconnection indicator		Transmission interrupt
Spare module(s)		1 x BA HF
Dimensions		See diagram
Contacts		Bronze/Surface Au-Ag
Weight		0.175 kg

Standards

Standards compliance		IEC 61643-21 / EN 61643-21 / UL497E
RohS compliance		Yes

Part number

68004

